

# EMERGENCY FLUORESCENT



## 1200-EM Series *Rustproof, Vandal-Resistant Wall/Ceiling Luminaire* *Two 42 Watts Maximum*

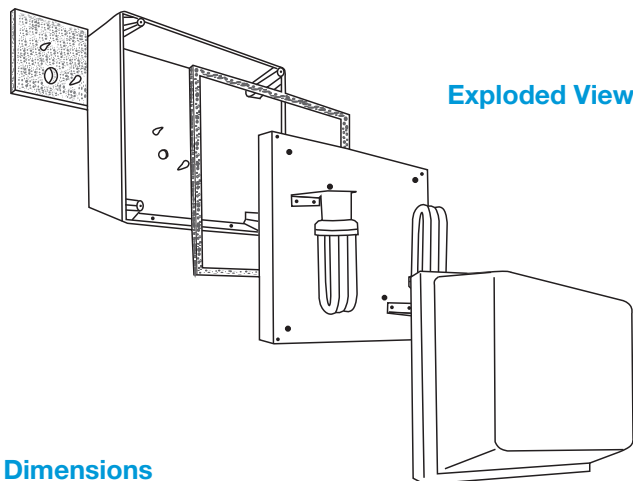
Intertek

Designed for use where a stylish, vandal-resistant fixture is required to operate efficiently during normal operation and/or to provide a reliable back-up power source during a power failure. Includes a maintenance-free battery with test switch and charging indicator light. Engineered with components and materials offering superb energy efficiency and **high resistance to rust, corrosion, and impact**. The **polycarbonate** housing is nonconductive, insuring more safety to the end user. Ideally suited as security lighting for schools; motels; hospitals; condominiums; and industrial, commercial and government establishments.



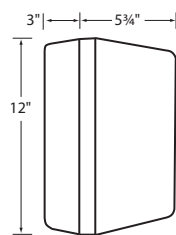
### Specifications

<b>Lens:</b>	Injection molded of UV-stabilized <b>polycarbonate</b> . Average thickness 1/8". Smooth exterior surface for ease of cleaning and rounded corners for added strength and safety.
<b>Base Plate:</b>	<b>Rustproof</b> .080" 5052 H-32 tempered marine-grade aluminum.
<b>Housing:</b>	Injection molded of UV-stabilized reinforced white or bronze <b>polycarbonate</b> . One 1/2" rear knockout for supply wire. Available with up to four 1/2" threaded conduit connections and plugs.
<b>Gasket:</b>	Lens gasket and mounting gasket are closed cell neoprene rubber.
<b>Socket:</b>	Four-pin and two-pin type. Leads insulated for 105°C.
<b>Lamp:</b>	High efficiency PLT, PLC and QD lamps offer up to ten times longer life and 70% energy savings over comparable incandescent lamps.
<b>Ballast:</b>	High Power Factor 120-277V.
<b>Battery:</b>	Nickel cadmium battery is maintenance free with a life expectancy of 7-10 years and a 90-minute emergency operating time. Exterior indicator light reveals that battery is charging during normal operation of fixture. During power interruption one lamp will switch to emergency operation. When A.C. power is restored, the lamps are switched back to the ballast and the battery is recharged within 24 hours.
<b>Hardware:</b>	Four stainless-steel 8-32 phillips truss head screws or tamperproof screws (TORX® type) attach lens to base plate.

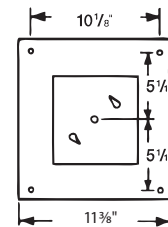


Exploded View

### Dimensions



Side View of Lens/Housing



Back View of Housing

### ETL-US Listed for Emergency or Wet Location Emergency

All polycarbonate components meet Underwriters Laboratories 746C tests for polymeric material and carry a flammability rating of 94HB or better on lenses and the superior 94-5V rating on housings.

Luminaire Type \_\_\_\_\_  
 Catalog Number \_\_\_\_\_  
 Job Name \_\_\_\_\_  
 Approval \_\_\_\_\_

## WF Harris Lighting

Innovative Lighting Designs Since 1970

P.O. Box 5023, Monroe, NC 28111-5023, USA  
 (704) 283-7477 (OPERATOR ASSIST) • (704) 283-6880 (FAX)

(800) 842-9345 (TOLL FREE)

e-mail: customerservice@wfarris.com

www.wfharrislighting.com

Form 1511

10/15

*"A Live Operator Company Standing Ready to Serve Your Lighting Needs"*

# EMERGENCY FLUORESCENT

Ordering Information (Fill In Blanks For Complete Catalog Number)

1200							
Model	Lens Color	Housing Color	Watts-Lamp	Power Factor	Volts	Options	
Model	Lens Color	Housing Color	Watts/Lamp	Power Factor	Volts	Options	Conduit Connections
1200	CP-Clear Prismatic OW-Opal White	HW-White HB-Bronze	2-13 QD <sup>2</sup> 2-18 PLT <sup>1</sup> 2-26 PLT <sup>1</sup> 2-32 PLT <sup>2</sup> 2-42 PLT <sup>2</sup> 2-26 PLC <sup>1</sup>	HPF	120-277	TPS-Tamperproof Screws LP-Lamp EM(1 Lamp)-One Lamp Operates Full Time and During Emergency EM(2 Lamp)-Two Lamps Operate Full Time and 1 Lamp Operates During Emergency EM2(2 Lamps)-Two Lamps Operate Full Time and Two Lamps Operate During Emergency EMO2(2 Lamp)-Two Lamps Operate Only During Emergency FS-Fuse and Holder GRAPHICS-Numbers, Symbols, Letters, Logos	CRS-Right Side <sup>3</sup> CLS-Left Side <sup>3</sup> CT-Top <sup>3</sup> CB-Bottom <sup>3</sup> C4-All <sup>3</sup>

Accessories (Order Separately)

TPT - Tamperproof Screwdriver



<sup>1</sup>Available in EMO2, EM, EM2

<sup>2</sup>Available in EM only

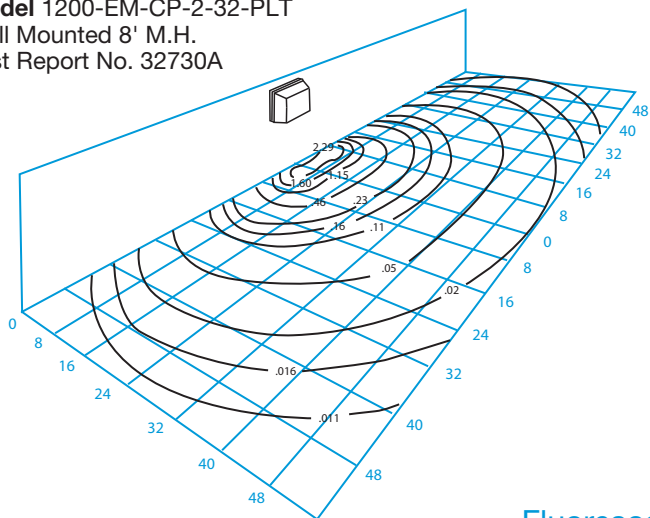
<sup>3</sup>Positions Based on Facing Luminaire

## Light Distribution Patterns

Model 1200-EM-CP-2-32-PLT

Wall Mounted 8' M.H.

Test Report No. 32730A



## Conversion Table

Lamp	Lamp Conversion Factor	Mounting Height	Height Conversion Factor
2- 26 PLC	1.48	6'	1.77
2-18 PLT	1.14	8'	1.00
2-26 PLT	1.71	10'	.64
2-32 PLT	2.29		
2-42 PLT	3.05		

### Using Conversion Table

TO ADJUST FC, USE FOLLOWING FORMULA WITH LAMP CONVERSION FACTOR (LCF) AND HEIGHT CONVERSION FACTOR (HCF):

FC x LCF = with alternate lamp

FC x HCF = FC at alternate height

FC x LCF x HCF = FC with alternate lamp at alternate height

## Fluorescent Lamp Performance

	(2) 13 Watt QD	2-26 PLC	2-18 PLT	2-26 PLT	2-32 PLT	2-42 PLT
Input Watts	26W	52W	18W	26W	32W	42W
Initial Lumen Output	780	1,550	1,200	1,800	2,400	3,200
Lamp Life (Hours)	10,000	10,000	10,000	10,000	10,000	10,000
Min. Starting Temperature	32°F	0°F	0°F	0°F	0°F	0°F

Specifications Subject to Change Without Notice

Luminaire is Warranted to be Free of Defects in Materials and Workmanship for One Year From Invoice Date.

**LENS, HOUSING, AND ALUMINUM BASE PLATE CARRY A LIFETIME GUARANTEE.**



# W.F. Harris Lighting

Innovative Lighting Designs Since 1970

P.O. Box 5023, Monroe, NC 28111-5023, USA

(704) 283-7477 (OPERATOR ASSIST) • (704) 283-6880 (FAX)

(800) 842-9345 (TOLL FREE)

e-mail: customerservice@wfarris.com

www.wfharrislighting.com

Printed in USA

Form 1511

10/15

*"W. F. Harris Lighting Will Not Sacrifice Quality for the Sake of Price."*