

# FLUORESCENT



## 240 Series *Vandal-Resistant Ceiling Luminaire*

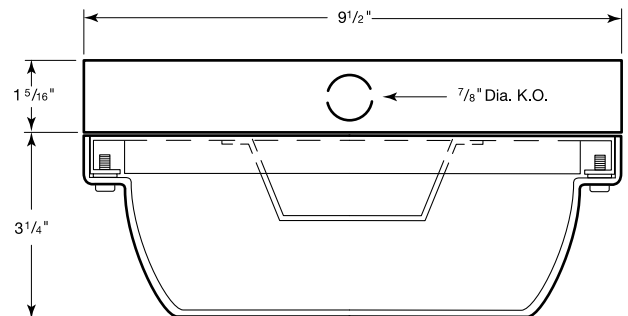


This fluorescent luminaire with standard electronic ballast combines optimal light distribution and energy efficiency with impact resistance in an aesthetically attractive design. Optional emergency battery system eliminates the need for special-purpose lighting. For indoor and protected outdoor uses, this luminaire is perfect for schools, hospitals, prisons; and public, commercial, and government buildings.

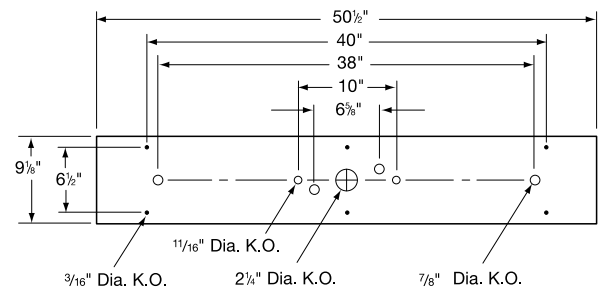
### Specifications

<b>Lens:</b>	Pressure formed of clear UV-stabilized <b>polycarbonate</b> in average $\frac{1}{8}$ " thickness. Clear lens is enhanced with prisms engineered for maximum light control.
<b>Base Plate:</b>	Die formed of 20-gauge steel or aluminum with high-reflectance white baked enamel finish applied <b>after forming</b> . Options: 16-gauge steel housing — consult factory for availability.
<b>Gasket:</b>	Concealed polyethylene gasket is bonded to lens to create a tight seal against contaminants and moisture.
<b>Wireway:</b>	Tool-less tab attachment facilitates installation and removal of wireway channel.
<b>Ballast:</b>	Electronic, thermally protected Class P, energy-saving, High Power Factor ballast for 120V-277V. 32-FL-T8 Instant-start 0°F (-18°C).
<b>Wet Location:</b>	Covered Ceiling
<b>Lamps:</b>	Uses two 32FLT8. Please note, lamps are NOT available to order.
<b>Emergency Battery Pack: (Optional)</b>	Nickel cadmium battery is maintenance free with a life of 7-10 years and a 90-minute emergency operating time. Battery is charging during normal operations of fixture. During power interruption, lamp will switch to emergency operation. When A.C. power is restored, lamp is switched back to the ballast and the battery is recharged within 24 hours. Note: Can be wired to operate only during power interruption. (See Emergency Fixture Information Sheet, Form 1568).
<b>Conduit Housing: (Optional)</b>	Die formed of 16-gauge steel with baked enamel white finish. Knockout for $\frac{1}{2}$ " conduit on each end and six mounting holes is limitedly available — consult factory for availability.
<b>Corner Bracket: (Optional)</b>	Die formed of 20-gauge steel with baked enamel white finish — consult factory for availability.
<b>Hardware:</b>	Six stainless steel philips head screws or optional t6mprproof screws are provided for lens attachment. Mounting hardware provided by others.

### Dimensions



Shown With Optional Conduit Housing



Base Plate Hole Pattern



**TAA COMPLIANT**  
TRADE AGREEMENT ACT COMPLIANT

### ETL-US and ETL-C Listed For Damp Location Covered Ceiling

All polycarbonate components meet Underwriters Laboratories 746C tests for polymeric material and carry a flammability rating of 94HB or better on lenses and the superior 94-5V rating on housings.

Luminaire Type \_\_\_\_\_  
 Catalog Number \_\_\_\_\_  
 Job Name \_\_\_\_\_  
 Approval \_\_\_\_\_

## WF Harris Lighting, Inc.

Innovative Lighting Designs Since 1970

P.O. Box 5023, Monroe, NC 28111-5023, USA  
 704.283.7477 (HEADQUARTERS) • 800.842.9345 (TOLL FREE)  
 e-mail: customerservice@wfharris.com  
 www.wfharrislighting.com

Form 1536

10/16

*"A Live Operator Company Standing Ready to Serve Your Lighting Needs"*

# FLUORESCENT

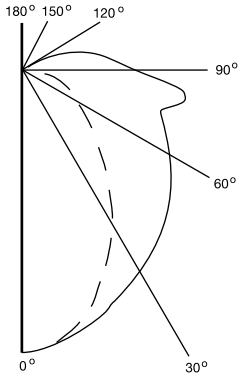
Ordering Information (Fill In Blocks For Complete Catalog Number)

-  -  -  -  -

<b>Model</b> 240	<b>Lens</b> CP- Clear Prismatic	<b>Watts-Lamp</b> 2-32FLT8	<b>Power Factor</b> HPF	<b>Volts</b> 120—277	<b>Options</b> EM- Emergency Battery Pack for One Lamp EM2- Emergency Battery Pack for Two Lamps EMO2- Emergency Mode Only WLO-240- Wet Location Outside Gasket (Must Specify Application) (Not required for covered ceiling application) FS- Fuse and Holder FNLP-120 - 9W PL Night Light With Lamp for 120V FNLP-277-9W PL Night Light with Lamp for 277V G16- 16 Gauge Steel Base Plate (Consult factory) 240B- Surface Conduit Box (Consult factory) 240C- Corner Mounting Bracket (Consult factory) TPS- Stainless Steel Tamperproof Screws	<b>Installation</b> <b>Wet Location</b>  Wet Location Covered Ceiling
---------------------	---------------------------------------	-------------------------------	----------------------------	-------------------------	---	---

**Accessories** (Order Separately)  
TPT-Tamperproof Screwdriver 

## Photometric Data



**COEFFICIENTS OF UTILIZATION - ZONAL CAVITY METHOD**  
**EFFECTIVE FLOOR CAVITY REFLECTANCE 0.20**

RC	80				70				50			30			10			0
	RW	70	50	30	10	70	50	30	10	50	30	10	50	30	10	50	30	10
0	57	57	57	57	56	56	56	56	52	52	52	49	49	49	46	46	46	44
1	52	49	46	44	50	47	45	43	44	42	41	41	40	39	39	38	36	35
2	47	42	39	36	45	41	38	35	38	36	33	36	34	32	34	32	30	29
3	43	37	33	30	41	36	32	29	34	31	28	32	29	27	30	28	26	25
4	39	33	29	25	38	32	28	25	30	27	24	28	26	23	27	24	22	21
5	36	29	25	22	34	29	24	21	27	23	20	25	22	20	24	21	19	18
6	33	26	22	19	32	26	21	18	24	21	18	23	20	17	22	19	17	16
7	31	24	19	16	29	23	19	16	22	18	16	21	18	15	20	17	15	14
8	28	21	17	14	27	21	17	14	20	16	14	19	16	13	18	15	13	12
9	26	19	15	12	25	19	15	12	18	14	12	17	14	12	16	13	11	10
10	24	18	14	11	23	17	13	11	16	13	11	16	13	10	15	12	10	9



**Innovative Lighting Designs Since 1970**

P.O. Box 5023, Monroe, NC 28111-5023, USA

704.283.7477 (HEADQUARTERS) • 800.842.9345 (TOLL FREE)

e-mail: customerservice@wfharris.com

www.wfharrislighting.com

Specifications Subject to Change Without Notice

Fixture is Warranted to be Free of Defects in Materials and Workmanship for One Year From Invoice Date.

Printed in USA

Form 1536

10/16

*“W. F. Harris Lighting Will Not Sacrifice Quality for the Sake of Price.”*