

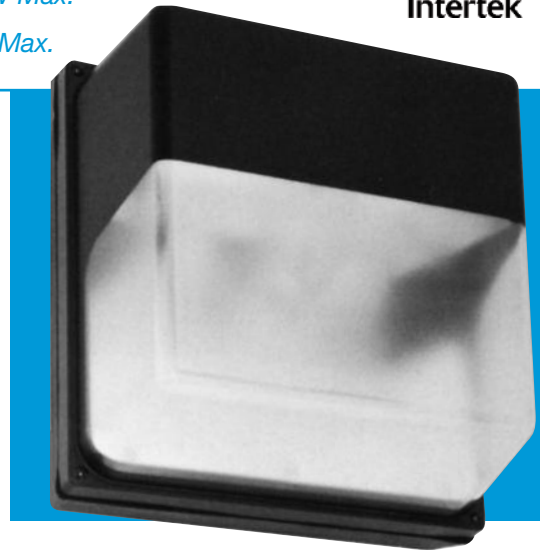
HPS – MH – LPS

1200-WP Series

*Rustproof Vandal-Resistant Wall Luminaire
High Pressure Sodium 150W Max.
Metal Halide 70W Max.
Low Pressure Sodium 18W Max.*

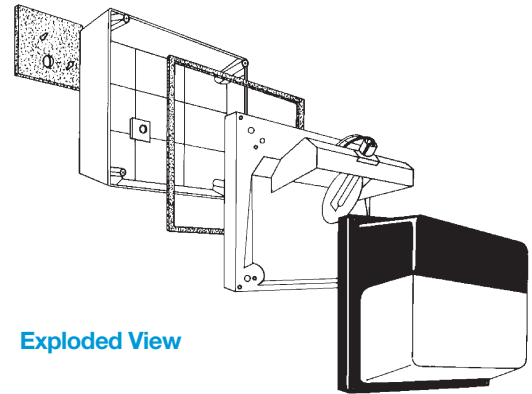


The lens, lamp orientation, and internal reflector in this wall-pack luminaire are designed to produce optimal light control directly in front of and along building walls. Engineered with materials offering the high resistance to rust, corrosion, and impact. The polycarbonate housing is lightweight for easy installation and is non-conductive for safety during installation and relamping. Smooth exterior lens allows ease of cleaning, clear prismatic interior assures optimum lumen output, rounded corners for increased impact strength. Ideally suited as security or aesthetic lighting for the exterior walls of commercial and industrial buildings, schools, hospitals, public housing, and government installations.



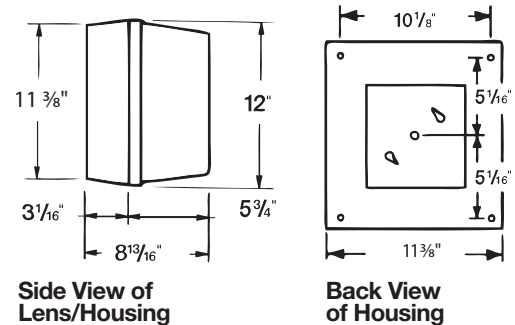
Specifications

Lens:	One piece, injection molded of UV-stabilized polycarbonate . Average thickness is $1/8$ ". Clear lens has a prismatic interior to soften the lamp image and is masked in bronze or white, high-temperature, weather-resistant polyurethane paint.
Base Plate:	Rustproof .080" 5052 H-32 tempered marine-grade aluminum.
Housing:	Injection molded of UV-stabilized reinforced bronze or white polycarbonate . Rear knockout for supply wire. Available with up to four threaded connections and plugs suitable for $1/2$ " conduit (specify conduit connections).
Gasket:	Lens gasket and mounting gasket are closed-cell neoprene rubber.
Socket:	Medium-base phenolic. HPS, MH and LPS types are 4kV pulse rated. Nickel-plated copper screw shell.
Reflector:	Formed of anodized aluminum with semi-specular finish.
Lamp: (Optional)	Medium-base lamp uses HPS, MH, or LPS.
Ballast:	<u>High Pressure Sodium (HPS) Normal Power Factor (NPF) and High Power Factor (HPF) for 120V.</u> <u>Metal Halide HPF for 120/208/240/277V.</u> <u>Low Pressure Sodium for HPF 120/277V.</u>
Hardware:	Four stainless-steel 8-32 phillips truss head screws or tamperproof screws (TORX® type) attach lens to base plate.



Exploded View

Dimensions



ETL-US and ETL-C Listed For Wet Locations.

All polycarbonate components meet Intertek 746C tests for polymeric material and carry a flammability rating of 94HB or better on lenses and the superior 94-5V rating on housings.

Luminaire Type _____
 Catalog Number _____
 Job Name _____
 Approval _____

WF Harris Lighting

Innovative Lighting Designs Since 1970

P.O. Box 5023, Monroe, NC 28111-5023, USA

(704) 283-7477 (HQ) • (704) 283-6880 (FAX)

(800) 842-9345 (TOLL FREE)

e-mail: customerservice@wfarris.com

www.wfharrislighting.com

Form 1538 10/15

"A Live Operator Company Standing Ready to Serve Your Lighting Needs"

HPS – MH – LPS

Ordering Information (Fill In Blanks For Complete Catalog Number)

1200-WP

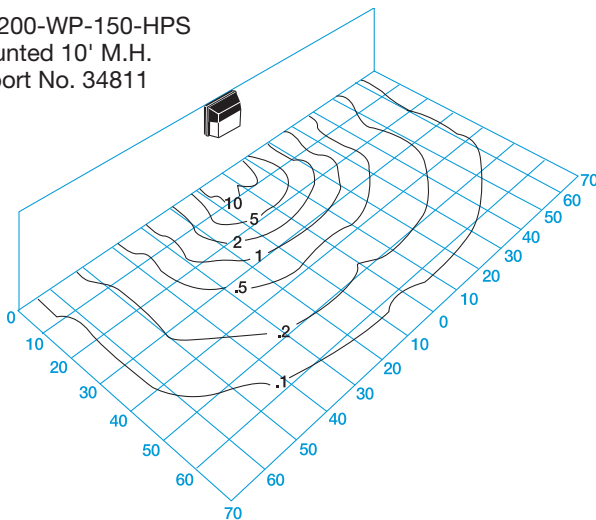
Model	Housing Color	Watts-Lamp	Power Factor / Volts	Options	Conduit Connection
Model	Housing Color	Watts/Lamp	Power Factor / Volts	Options	Conduit Connections Specify Location(s)
1200-WP	HB-Bronze HW-White	50HPS 70HPS 100HPS 150HPS 70MH 18LPS	NPF 120² HPF 120⁴ HPF 120/277³ HPF 120/208/240/277¹	PC-Photo Control⁵ LP-Lamp TPS-Tamperproof Screws QRS-Quartz Restrike System (120V) QRS-LP-Quartz Restrike System With 100 Q/DC Lamp (120V) QRSTS-Quartz Restrike System With Timed System (120V) QRSTS-LP-Quartz Restrike System With Timed System and 100 Q/DC Lamp (120V) FS-Fuse and Holder	CRS-Right Side CLS-Left Side CT-Top CB-Bottom C4-All (Positions Based On Facing Luminaire)

¹ Available with MH only.
² Available with 50 HPS or 150 HPS.
³ Available with 18 LPS.
⁴ Available with 70 HPS or 100 HPS.
⁵ Specify Voltage - 120V or 277V Only.

Accessories (Order Separately) 
TPT-Tamperproof Screwdriver

Light Distribution Pattern

Model 1200-WP-150-HPS
 Wall Mounted 10' M.H.
 Test Report No. 34811



Conversion Tables

Lamp	Lamp Conversion Factor	Mounting Height	Height Conversion Factor
150 HPS	1.00	8'	1.56
100 HPS	.59	10'	1.00
70 HPS	.36	12'	.69
50 HPS	.25	14'	.50
70 MH	.35	15'	.44

Using Conversion Table

TO ADJUST FOOTCANDLES (FC) SHOWN IN DIAGRAM AT LEFT, USE FOLLOWING FORMULA WITH LAMP CONVERSION FACTOR (LCF) AND HEIGHT CONVERSION FACTOR (HCF):

$$FC \times LCF = FC \text{ with alternate lamp}$$

$$FC \times HCF = FC \text{ at alternate height}$$

$$FC \times LCF \times HCF = FC \text{ with alternate lamp at alternate height}$$

**LENS, HOUSING, ALUMINUM BASE
 PLATE CARRY A LIFETIME GUARANTEE.**

Specifications Subject to Change Without Notice

Luminaire is Warranted to be Free of Defects in Materials and Workmanship for One Year From Invoice Date.



Innovative Lighting Designs Since 1970

P.O. Box 5023, Monroe, NC 28111-5023, USA
 (704) 283-7477 (OPERATOR ASSIST) • (704) 283-6880 (FAX)
 (800) 842-9345 (TOLL FREE)

e-mail: customerservice@wfarris.com
www.wfharrislighting.com

"W. F. Harris Lighting Will Not Sacrifice Quality for the Sake of Price."