

HPS-METAL HALIDE

80-WP Series

*Rustproof Vandal-Resistant Ceiling Luminaire
High Pressure Sodium 70W Max
Metal Halide 70W Max.*



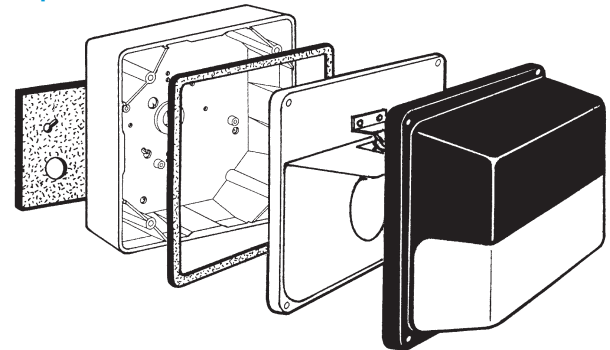
The lens, lamp orientation, and internal reflector in this wall-pack luminaire are designed to produce optimal light control directly in front of and along building walls. Engineered with materials offering the **highest resistance to rust, corrosion, and impact**. The **polycarbonate** housing is lightweight for easy installation and is non-conductive for safety during installation and relamping. Smooth exterior lens allows ease of cleaning, clear prismatic interior assures optimum lumen output, rounded corners for increased impact strength. Ideally suited as security or aesthetic lighting for the exterior walls of commercial and industrial buildings, schools, hospitals, public housing, and government installations.



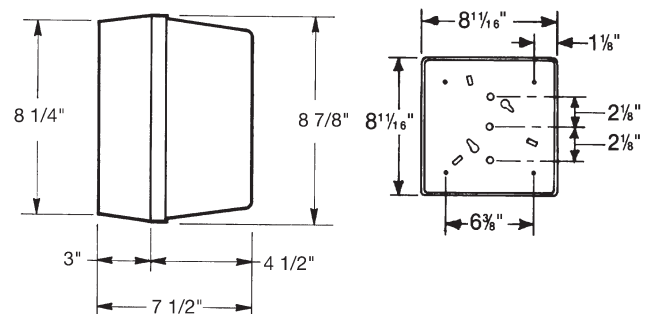
Specifications

Lens:	One piece, prismatic, injection molded of UV-stabilized polycarbonate . Average thickness is $\frac{1}{8}$ ". Smooth exterior surface for ease of cleaning, rounded corners for increased impact strength. Masked in bronze or white, high-temperature, weather-resistant polyurethane paint.
Base Plate:	Rustproof .063" 5052 H-32 tempered marine-grade aluminum.
Housing:	Injection molded of UV-stabilized reinforced bronze or white polycarbonate . Rear knockout for supply wire. Available with up to four threaded connections and plugs suitable for $\frac{1}{2}$ " conduit (specify connection positions).
Gasket:	Lens gasket and mounting gasket are closed-cell neoprene rubber.
Socket:	Medium-base high heat phenolic. HPS and MH types are 4kV pulse rated.
Reflector:	Formed of anodized aluminum with specular finish.
Lamp: (optional)	Medium base, ED17.
Ballast:	MH and HPS type are Normal Power Factor (NPF) or High Power Factor (HPF) 120V or HPF 120/277V or HPF120/277/347 or HPF 120/208/240/277.
Hardware:	Four stainless-steel 8-32 phillips truss head screws or tamperproof screws (TORX® type) attach lens to base plate.

Exploded View



Dimensions



ETL-US and ETL-C Listed For Wet Locations.

All polycarbonate components meet Underwriters Laboratories 746C tests for polymeric material and carry a flammability rating of 94HB or better on lenses and the superior 94-5V rating on housings.

Luminaire Type _____
Catalog Number _____
Job Name _____
Approval _____

WF Harris Lighting

Innovative Lighting Designs Since 1970

P.O. Box 5023, Monroe, NC 28111-5023, USA
(704) 283-7477 (OPERATOR ASSIST) • (704) 283-6880 (FAX)
(800) 842-9345 (TOLL FREE)

e-mail: customerservice@wfharris.com
www.wfharrislighting.com

Form 1559

10/15

"A Live Operator Company Standing Ready to Serve Your Lighting Needs"

HPS - METAL HALIDE

Ordering Information (Fill In Blanks For Complete Catalog Number)

Model	Housing	Watts-Lamp	Power Factor	Volts	Options	Conduit Connections
Model	Housing	Watts/Lamp	Power Factor / Volts	Options		Conduit Connections
80-WP	HW-White ⁸ HB-Bronze ⁸	35 HPS 50 HPS 70 HPS 50 MH 70 MH	NPF 120 ² HPF 120 ⁴ HPF 120/277 ^{1,3} HPF 120/277/347 ^{7,5} HPF 120/208/240/277 ^{7,6}	PC-Photo Control ¹ LP-Medium Base Lamp FS-Fuse and Holder PS-BZ-Bronze Painted Sides TPS-Tamperproof Screws		CRS-Right Side CLS-Left Side CT-Top CB-Bottom C4-All Four Sides (Positions Based On Facing Fixture)

¹ Specify Voltage - Either 120V or 277V Only

² Available for 35HPS, 50HPS, 50MH, 70MH.

³ Available for 50HPS

⁴ Available for 70HPS

⁵ Available for 70HPS

⁶ Available for 50MH, 70MH

⁷ Specify Voltage- 120V or 208V or 240V or 277V or 347V

⁸ Specifying Housing Color Also Denotes Lens Trim Color

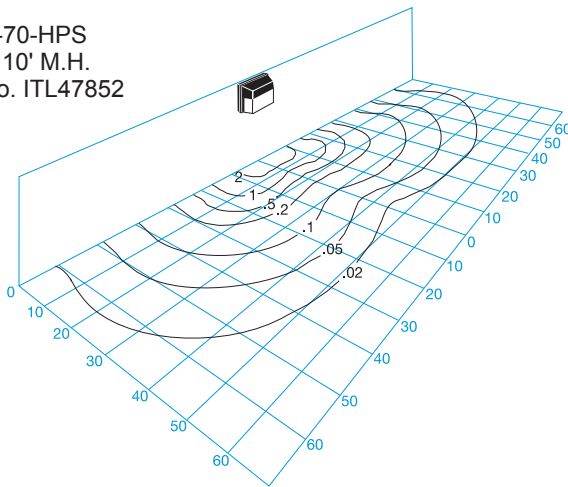
Accessories (Order Separately)

TPT-Tamperproof Screwdriver



Light Distribution Pattern

Model 80-WP-70-HPS
Wall Mounted 10' M.H.
Test Report No. ITL47852



LENS, HOUSING, AND ALUMINUM
BASE PLATE CARRY A LIFETIME
GUARANTEE.

Specifications Subject to Change Without Notice

Luminaire is Warranted to be Free of Defects in Materials
and Workmanship for One Year From Invoice Date.

TAA COMPLIANT
TRADE AGREEMENT ACT COMPLIANT



Conversion Table

Lamp	Lamp Conversion Factor	Mounting Height	Height Conversion Factor
70 HPS	1.00	8'	1.56
50 HPS	.63	10'	1.00
70 MH	.89	14'	.50
50 MH	.54		

Using Conversion Table

TO ADJUST FOOTCANDLES (FC) SHOWN IN
DIAGRAM AT LEFT, USE FOLLOWING FORMULA
WITH LAMP CONVERSION FACTOR (LCF)
AND HEIGHT CONVERSION FACTOR (HCF):

$$FC \times LCF = FC \text{ with alternate lamp}$$

$$FC \times HCF = FC \text{ at alternate height}$$

$$FC \times LCF \times HCF = FC \text{ with alternate lamp at alternate height}$$

WF Harris Lighting

Innovative Lighting Designs Since 1970

P.O. Box 5023, Monroe, NC 28111-5023, USA

(704) 283-7477 (OPERATOR ASSIST) • (704) 283-6880 (FAX)

(800) 842-9345 (TOLL FREE)

e-mail: customerservice@wfarris.com

www.wfharrislighting.com

Printed in USA

Form 1559

10/15

"W. F. Harris Lighting Will Not Sacrifice Quality for the Sake of Price."