

# PORTABLE AREA WORKLIGHT



## 300-WL

*Rustproof Vandal-Resistant Luminaire*  
50 Watts Metal Halide  
70 Watts High Pressure Sodium

Specifically designed to provide illumination in on-site production areas where endurance to environmental elements are as important as dependable, reliable service. Engineered with materials offering high resistance to rust, corrosion, and impact. **Polycarbonate Safety Yellow Housing** is nonconductive, insuring more safety to the end user. Two heavy-duty magnets (strength pull rated 90 lbs each) and one eye bolt, both integral to the worklight, allow convenient mounting either to a steel structure or overhead by a safety chain (not included). **Polycarbonate lens** with smooth exterior allows ease of cleaning and clear prismatic interior assures optimal lumen output. Ideally suited in the construction and assembly work in commercial, industrial, and government manufacturing operations.

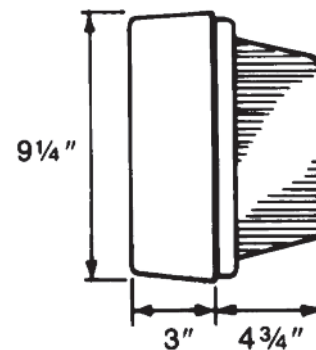
### Specifications

<b>Lens:</b>	Injection molded of UV-stabilized polycarbonate for increased lens impact strength and user safety. Average thickness is $\frac{1}{8}$ ". Clear Prismatic interior for optimal lumen output, smooth exterior surface for ease of cleaning.
<b>Base Plate:</b>	Rustproof .080" 5052 H-32 tempered marine-grade aluminum.
<b>Gasket:</b>	Lens gasket is closed-cell neoprene rubber for maximum dirt, dust and moisture barrier.
<b>Housing:</b>	Injection molded of UV-stabilized reinforced Safety Yellow polycarbonate for increased lens impact strength and user safety. Non-conductive.
<b>Cord, Plug, and Fittings:</b>	Six-foot black 18 AWG SJTOW cord, with 3-prong NEMA 5-15 plug. Liquid Tight Fitting exceeds NEMA 6 specifications
<b>Socket:</b>	Medium-base high heat phenolic, 4kV pulse rated.
<b>Lamps:</b>	<u>Metal Halide:</u> 50 Watt rated for 10,000 hours of service. <u>High Pressure Sodium:</u> 50 and 70 Watt lamps rated for 24,000 hours of service each.



**Hardware:** Four stainless-steel 8-32 phillips truss head screws attach lens to base plate. On/Off Toggle Switch is hard plastic with rubber boot. Two maximum-secure Magnets pull strength rated for holding 90 lbs each. One Eyebolt for mounting by safety chain (not included).

### Dimensions



### ETL-US and ETL-C Listed

All polycarbonate components meet Underwriters Laboratories 746C tests for polymeric material and carry a flammability rating of 94HB or better on lenses and the superior 94-5V rating on housings.

Luminaire Type \_\_\_\_\_  
Catalog Number \_\_\_\_\_  
Job Name \_\_\_\_\_  
Approval \_\_\_\_\_

## WF Harris Lighting

Innovative Lighting Designs Since 1970

P.O. Box 5023, Monroe, NC 28111-5023, USA  
(704) 283-7477 • (704) 283-6880(FAX) • (800) 842-9345 (TOLL FREE)  
www.wfharrislighting.com • email: customerservice@wfharris.com

Form 1563 12/15

*"A Live Operator Company Standing Ready to Serve Your Lighting Needs"*

# PORTABLE AREA WORKLIGHT METAL HALIDE - HIGH PRESSURE SODIUM

Ordering Information (Fill In Blocks For Complete Catalog Number)

<input type="text"/>	-	<input type="text"/>
----------------------	---	----------------------

Model

300WL

Watts/Lamp

50 MH  
70 HPS

## Lamp Performance

	50 Watt MH	70 Watt HPS
Input Watts	50W	70W
Lumen Output	3,400	6,300
Avg. Life Hours	10,000	24,000
Min. Starting Temperature	-20°F/-30°C	-40°F/-40°C

Specifications Subject to Change Without Notice

**LENS, HOUSING, AND ALUMINUM BASE  
PLATE CARRY A LIFETIME GUARANTEE.**

MADE IN  
USA 

## WF Harris Lighting

Innovative Lighting Designs Since 1970

P.O. Box 5023, Monroe, NC 28111-5023, USA  
(704) 283-7477 • (704) 283-6880(FAX) • (800) 842-9345 (TOLL FREE)  
www.wfharrislighting.com • email: customerservice@wfharris.com

Printed in USA  
Form 1563  
12/15