

LED LINEAR LUMINAIRE



Intertek

Model 400-LED-17K

Designed for ambient and freezer applications where efficiency and style are as important as endurance, dependability and reduced operating costs. Impact resistant **polycarbonate** lens is less prone to damage. The non-conductive housing assures more safety to the end user; and its special U-shaped channel with non-shifting, poured-in-place gasket allows the flanged lens to fit snugly for a continuous seal. **Quality engineered to resist rust, corrosion, moisture, dust and impact.** In conjunction with WattStopper® Occupancy Sensor, the luminaire further improves operating costs. Ideal for use in ambient temperatures and in freezer applications to -40°C. Luminaire utilizes high quality LEDs and Driver to further enhance reliability and durability while reducing power consumption.

LEDs contain no mercury and emit no ultraviolet light.
LEDs do not break, unlike conventional lamps, if fixture is dropped.



Model 400 -LED-17K

Specifications

Lens: Vacuum-formed impact resistant **polycarbonate** lens facilitates maximum light control and emission; smooth exterior allows ease of cleaning. Edge is flanged to fit into the gasketed retention channel of the housing for a continuous seal against moisture and dust.

Housing: Compression-molded fiberglass reinforced polyester (self-extinguishing ASTM D635-74). U-shaped channel allows flanged lens to fit snugly. One-piece construction designed to facilitate portability.

Gasket: Continuous poured-in-place gasket completely fills the perimeter channel of the housing and accepts lens flange for maximum seal integrity against moisture, dust and water washdown. Gasket cannot separate, shift or fall out.

LEDs: **High Quality Lighting Grade LEDs**
White lighting class LEDs are mounted on a 0.125" aluminum plate.
5,000K - 7,000K Color temperature.
400-17K = 17,000 Lumens 184 Watts
L70 lifetime up to 50,000 hours (application dependent).

Driver: **High Quality Drivers**
Class 2 Power Supply.
AC Input: 120V-277V 50/60Hz



Complies with FCC rules and regulations, as per Title 47 CFR Part 15 Non-Consumer (Class A) for EMI/RFI (conducted and radiated) at full load.

Warranted for five (5) years by Driver manufacturer.

Occupancy Sensor: **WattStopper®**

(Optional) WattStopper® Occupancy Sensor offers 360° radius and 68 feet diameter coverage. Multi-tier fresnel lens provides high density coverage pattern.

Mounting: (Optional) Mounting Strap for flush mount, Bracket for chain mount, or Eyebolts for chain mount. Chains are not included.

Latches: Standard are four pairs of white injection molded high impact Celcon suitcase style latches that secure a positive seal between housing, gasket and lens. Special tamperproof latches of stainless steel (for marine applications) or polycarbonate are available as a custom component.



ETL-US and ETL-C Listed (UL 1598 Pending)
USDA Certified for Food Area Applications
NSF Certified for Non-Food Zone Applications

The polycarbonate lens carries a flammability rating of 94HB or better. The self-extinguishing fiberglass housing has the superior SE-O rating.

Luminaire Type _____
Catalog Number _____
Product Code _____
Job Name _____
Approval _____



Innovative Lighting Designs Since 1970

P.O. Box 5023, Monroe, NC 28111-5023, USA
(704) 283-7477 (OPERATOR ASSIST) • (704) 283-6880 (FAX)
(800) 842-9345 (TOLL FREE)

e-mail: customerservice@wfharris.com
www.wfharrislighting.com

Form 2510 9/15

"A Live Operator Company Standing Ready to Serve Your Lighting Needs"

LED LINEAR LUMINAIRE

Ordering Information

Fill In Blocks For Complete Catalog Number

400-LED-17K –

Model

Options

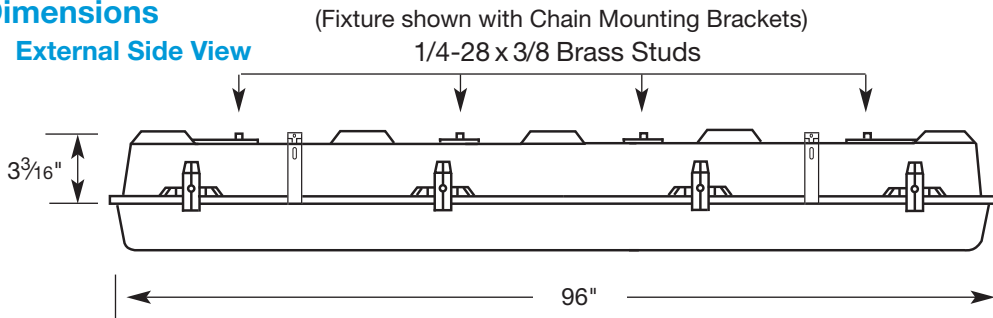
- MS**-Mounting Strap Installation Kit (Contains 2)
- BRKTS2**-Chain Mounting Installation Kit (Contains 2) (Chain not included.)
- 2EC**-Eyebolt Chain Mounting Installation Kit (Contains 2) (Chain not included.)
- LSS-3**-Stainless Steel Latches*
- LSS-3TP**-Stainless Steel Tamperproof Latches*

- LCWTP3**-Tamperproof Celçon Latches*
- LPC**-Polycarbonate Latches*
- LPCTP3**-Tamperproof Polycarbonate Latches*
- OS**-Occupancy Sensor by WattStopper®

*Special Latches Available as Custom Components. Consult Factory for Availability.

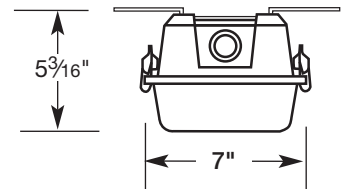
Dimensions

External Side View



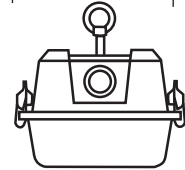
External End View

(Fixture shown with Mounting Straps)



External End View

(Fixture shown with Eyebolt Mount)



LEDs and the W. F. Harris Lighting Advantage

The lighting grade LEDs used by W. F. Harris Lighting provide the long sought-after stability demanded for commercial illumination in brightness, efficacy, life time, and color temperatures. Can be used in commercial/industrial illumination applications, hospitals, schools, universities, government buildings, military installations and freezer applications.

W. F. Harris Lighting LED-based luminaires reduce ownership costs through four factors –

- (1) Maintenance avoidance – LEDs last much longer than traditional lamps plus the fixture is non-rusting and vandal resistant.
- (2) Reduced energy cost of the LEDs.
- (3) Reduced cost in operation of freezer compressors due to lower wattage and less heat.
- (4) LEDs do not break if dropped, unlike conventional lamps.

These lighting grade LEDs offer efficient illumination that - depending on the application - can last up to 100,000 hours before their light output falls below 70% of original illumination and even longer in refrigerated environments.

Application-specific units available to meet a customer's unique lighting requirements.

After the customer provides W. F. Harris Lighting with specific requirements for a lighting application, our in-house LED Application Engineering Department will adjust the fixture to satisfy those requirements. Once completed, a Product Code will be assigned and used to order application-specific units.



Made
In
USA

TAA COMPLIANT
TRADE AGREEMENT ACT COMPLIANT

**POLYCARBONATE LENS CARRIES A
LIFETIME WARRANTY AGAINST BREAKAGE.**

Specifications Subject to Change Without Notice

W.F. Harris Lighting

Innovative Lighting Designs Since 1970

P.O. Box 5023, Monroe, NC 28111-5023, USA
(704) 283-7477 (OPERATOR ASSIST) • (704) 283-6880 (FAX)
(800) 842-9345 (TOLL FREE)

e-mail: customerservice@wfharris.com
www.wfharrislighting.com

Printed in USA

Form 2510

9/15

"W. F. Harris Lighting Will Not Sacrifice Quality for the Sake of Price"