

# LED WALL/CEILING LUMINAIRE

## Model 300-LED *Rustproof Vandal Resistant*



Energy saving, energy efficient indoor/outdoor, wall/ceiling area illumination where style is as important as endurance, dependability and reduced operating costs.

**Quality engineered with materials offering high resistance to rust, corrosion and impact.** The **polycarbonate** housing is non-conductive, assuring more safety to the end user. Smooth exterior **polycarbonate** lens allows ease of cleaning. Optimal light emission. Ideally suited in applications for building interiors and exteriors, walkways, ceilings and walls in grocery stores, hospitals, schools, universities, military installations, and government establishments. Luminaire utilizes high quality LEDs and Driver to further enhance reliability and durability while reducing power consumption.

**LEDs contain no mercury and emit no ultraviolet light.**

**LEDs will not break, unlike conventional lamps, if luminaire is dropped.**

### Specifications

<b>Lens:</b>	Injection molded UV-stabilized <b>polycarbonate</b> . Average thickness is .125". Clear Prismatic or Opal White lens provides optimal light output and diffusion; smooth exterior surface allows ease of cleaning. Other colors available
<b>Base Plate:</b>	<b>Rustproof</b> .080" 5052 H-32 tempered marine-grade aluminum.
<b>Housing:</b>	Injection molded of UV-stabilized reinforced black, white or bronze <b>polycarbonate</b> . Rear knockout for supply wire. Available with up to four threaded connections and plugs suitable for .50" conduit (specify conduit connections).
<b>Gasket:</b>	Lens gasket and mounting gasket are closed-cell neoprene rubber.
<b>LEDs:</b>	<b>High Quality Lighting Grade LEDs</b> 5,000K Color Temperature. <b>Net Lumens = 1100 Power = 18 W Efficacy = 61 Lm/W</b> <b>Warranted for five (5) years.</b>
<b>LED Life:</b>	<b>Lumen Maintenance</b> (TM-21-11 70% Projection) <b>84,000 Hrs</b> (25°C/77°F) = <b>10 years of 24/7 LED life</b> <b>39,000 Hrs</b> (50°C/122°F) = <b>4 years of 24/7 LED life</b> <b>Calculations Based on US Department of Energy Worksheet</b> <b>DOE TM-21-11, 70%</b>



**Driver:** **High Quality Driver**  
Class 2 Power Supply.  
AC Input: 120V, 50/60Hz



Complies with FCC rules and regulations, as per Title 47 CFR Part 15 Non-Consumer (Class A) for EMI/RFI (conducted and radiated) at full load.

**Warranted for five (5) years by Driver manufacturer.**

**Hardware:** Four stainless-steel 8-32x3/8 phillips truss head screws or tamperproof screws (must specify) attach lens to base plate. One zinc-plated steel 1/4-20x3 truss head screw attaches base plate to housing.

ETL-US and ETL-C Listed for Wet Location Applications  
(UL1598 for Non-Emergency Operation)  
LM-79 and LM-80 Test Data Available

All polycarbonate components meet Underwriters Laboratories 746C tests for polymeric material and carry a flammability rating of 94HB or better on lenses and the superior 94-5V rating on housings.

Luminaire Type \_\_\_\_\_  
Catalog Number \_\_\_\_\_  
Product Code \_\_\_\_\_  
Job Name \_\_\_\_\_  
Approval \_\_\_\_\_



**SBA QUALIFIED  
SMALL BUSINESS MANUFACTURER**

**TAA COMPLIANT**  
TRADE AGREEMENT ACT COMPLIANT

**WF Harris Lighting, Inc.**

**Innovative Lighting Designs Since 1970**

P.O. Box 5023, Monroe, NC 28111-5023, USA  
704.283.7477 (HEADQUARTERS) • 800.842.9345 (TOLL FREE)

e-mail: customerservice@wfharris.com  
www.wfharrislighting.com

Form 2543

6/18

*"A Live Operator Company Standing Ready to Serve Your Lighting Needs"*

# LED WALL/CEILING LUMINAIRE

## Ordering Information

Fill In Blocks For Complete Catalog Number

<b>300-LED</b>	-		-		-	
<b>Model</b>		<b>Lens Color</b>		<b>Housing Color</b>		<b>Options</b>
		CP - Clear Prismatic OW - Opal White BY - BugLight Yellow G - Green B - Blue (Law Enforcement Use Only. Documentation Required.)		HK - Black Housing HW - White Housing HB - Bronze Housing		CRS - Conduit Connection Right Side <sup>1,2</sup> CLS - Conduit Connection Left Side <sup>1,2</sup> CT - Conduit Connection Top <sup>1,2</sup> CB - Conduit Connection Bottom <sup>1,2</sup> C4 - Conduit Connections All 4 Sides <sup>1,2</sup> TPS - Tamperproof Screws (4) <sup>3</sup>

<sup>1</sup> Positions based on facing luminaire.

<sup>2</sup> Additional charges may apply. Consult factory.

<sup>3</sup> No additional charge when specified with initial order.

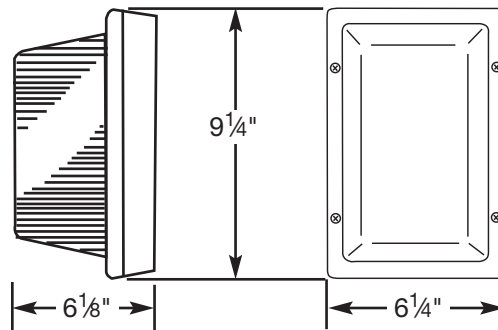
## Accessories

(Order Separately)

TPT-Tamperproof Screwdriver



## Dimensions



## LEDs and the W. F. Harris Lighting Advantage

The lighting grade LEDs used by W. F. Harris Lighting provide the long sought-after stability demanded for commercial illumination in brightness, efficacy, life time, and color temperatures. Can be used in commercial/industrial illumination applications, hospitals, schools, universities, government buildings, military installations and freezer applications.

W. F. Harris Lighting LED-based luminaires reduce ownership costs through four factors —

- (1) Maintenance avoidance – LEDs last much longer than traditional lamps plus the luminaire is non-rusting and vandal resistant.
- (2) Reduced energy cost of the LEDs.
- (3) Reduced cost in operation of freezer compressors due to lower wattage and less heat.
- (4) LEDs will not break, unlike conventional lamps, if luminaire is dropped.
- (5) LEDs contain no mercury and emit no ultraviolet light.

These lighting grade LEDs offer efficient illumination that - depending on the application - can last up to 100,000 hours before their light output falls below 70% of original illumination and even longer in refrigerated environments.

## Application-specific units available to meet a customer's unique lighting requirements.

After the customer provides W. F. Harris Lighting with specific requirements for a lighting application, our in-house LED Application Engineering Department will adjust the luminaire to satisfy those requirements. Once completed, a Product Code will be assigned and used to order application-specific units.



**SBA QUALIFIED  
SMALL BUSINESS MANUFACTURER**

**TAA COMPLIANT**  
TRADE AGREEMENT ACT COMPLIANT

**LENS AND HOUSING CARRY A LIFETIME  
WARRANTY AGAINST BREAKAGE.**

Specifications Subject to Change Without Notice.

**W.F. Harris Lighting, Inc.**

**Innovative Lighting Designs Since 1970**

P.O. Box 5023, Monroe, NC 28111-5023, USA

704.283.7477 (HEADQUARTERS) • 800.842.9345 (TOLL FREE)

e-mail: [customerservice@wfharris.com](mailto:customerservice@wfharris.com)

[www.wfharrislighting.com](http://www.wfharrislighting.com)

Printed in USA

Form 2543

6/18

*"W. F. Harris Lighting Will Not Sacrifice Quality for the Sake of Price."*