

LED WORKLIGHT / PORTABLE LIGHTING STANDARD, SLIM AND DAISY CHAIN MODELS

Model 30-WL-LED-1K, Model 30-WL-LED-1K-SLDC Model 30-WL-LED-1K-Daisy



RUST RESISTANT • NONCONDUCTIVE
VANDAL AND IMPACT RESISTANT




Specifically designed to provide efficient, effective illumination in fleet maintenance and repair; electrical and other equipment repair; shipbuilding and maintenance; boat manufacturing and maintenance; and other task lighting applications. **Quality engineered to resist rust, corrosion, moisture, dust and impact.** The polycarbonate housing is nonconductive, assuring more safety to the end user. Clear prismatic lens is impact-resistant polycarbonate. The Daisy Chain model can be safely strung together up to 10 units to illuminate a larger working environment. Unit utilizes high quality LEDs and Driver to further enhance reliability and durability while reducing power consumption.

LEDs contain no mercury and emit no ultraviolet light.

LEDs will not break, unlike conventional lamps, if unit is dropped.

Specifications

Lens:	Injection molded lens of UV-stabilized impact-resistant polycarbonate. Average thickness is .125". Clear prismatic lens interior provides optimal lumen output, smooth exterior surface allows ease of cleaning, rounded corners increase impact strength and user safety.
Base Plate:	Rust resistant .080" 5052 H-32 tempered marine-grade aluminum.
Housing:	Injection molded of UV-stabilized reinforced polycarbonate in safety yellow.
Gasket:	Lens gasket is closed-cell neoprene rubber for a maximum barrier to dirt, dust and moisture.
LEDs:	High Quality Lighting Grade LEDs 3,700-5,000K Color Temperature. Net Lumens = 1200 Warranted for five (5) years.
LED Life:	Lumen Maintenance (TM-21-11 70% Projection) 127,000 Hrs (25°C /77°F) = 15 years of 24/7 LED life 95,000 Hrs (50°C/122°F) = 11 years of 24/7 LED life Calculations Based on US Department of Energy Standards. DOE TM-21-11, 70%.
Driver:	High Quality Driver Class 2 Power Supply. AC Input: 120V, 60Hz. Power = 10 W Efficacy = 120 Lm/W  Complies with FCC rules and regulations as per Title 47 CFR Part 15 Non-Consumer (Class A) for EMI/RFI (conducted and radiated) at full load. Warranted for five (5) years.

Cord:	Six-foot long 18 AWG SJTOW oil/water resistant black cord with liquid tight strain relief fitting exceeds NEMA 6 specifications for moisture-secure operation.
Daisy Chain Model:	Same components/features as Standard, except a Daisy Chain 14 AWG SJTOW oil/water resistant Cord array replaces standard male cord. A combined six-foot male cord and 8-inch female cord attach to a liquid tight strain relief fitting that exceeds NEMA 6 specifications for moisture-secure operation.
Hardware:	Two stainless steel 8-32x3/8 phillips truss head screws attach lens to base plate. Integral to the unit and used with a safety chain (chain not included) is a three-quarter inch center diameter eyebolt. On/off toggle switch is hard plastic with rubber boot. Maximum-secure magnet is rated for 90 lbs. pull strength.

ETL-US and ETL-C Listed (UL153)

All polycarbonate components meet Underwriters Laboratories 746C tests for polymeric material and carry a flammability rating of 94HB or better on lenses and the superior 94-5V rating on housings.

Luminaire Type _____
 Catalog Number _____
 Product Code _____
 Job Name _____
 Approval _____



SBA QUALIFIED
SMALL BUSINESS MANUFACTURER

TAA COMPLIANT
TRADE AGREEMENT ACT COMPLIANT

WF Harris Lighting, Inc.™

Innovative Lighting Designs Since 1970

P.O. Box 5023, Monroe, NC 28111-5023, USA

704.283.7477 (HEADQUARTERS) • 800.842.9345 (TOLL FREE)

e-mail: customerservice@wfharris.com

www.wfharrislighting.com

Form 2572-2BJ

"A Live Operator Company Standing Ready to Serve Your Lighting Needs."

LED WORKLIGHT / PORTABLE LIGHTING STANDARD AND DAISY CHAIN MODELS

Ordering Information

Fill In Block For Complete Catalog Number

Model

30-WL-LED-1K
30-WL-LED-1K-DAISY
30-WL-LED-1K-SLDC

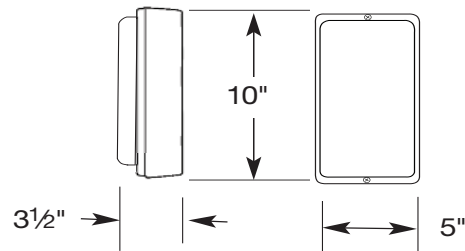
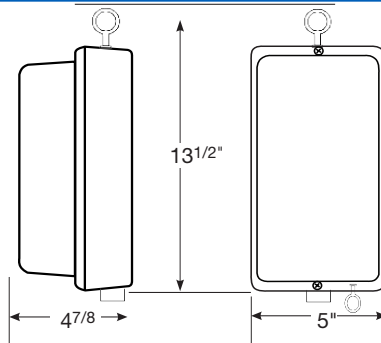
Housing Color

HSY - Safety Yellow
(Other Housing Colors
Available — Consult
Factory for Pricing and
Availability)

Hanging Device

HOOK - Open hook bolted to housing
Std. EYEBOLT - 3/4" center diameter (Please note: if box is blank,
order will be delivered with the standard Eyebolt.)

Dimensions



30-WL-LED-1K-SLDC (slim)

Weight

30-WL-LED-1K = 3.5 lbs.
30-WL-LED-1K-DAISY = 4.0 lbs.
30-WL-LED-1K-SLDC = 3.5 lbs.

LEDs and the W. F. Harris Lighting Advantage

The lighting grade LEDs used by W. F. Harris Lighting provide the long sought-after stability demanded for commercial illumination in brightness, efficacy, life time, and color temperatures. Can be used in commercial/industrial illumination applications, hospitals, schools, universities, government buildings, military installations and in freezer applications.

W. F. Harris Lighting LED-based luminaires reduce ownership costs through four factors —

- (1) Maintenance avoidance — LEDs last much longer than traditional lamps plus the fixture is rust resistant and vandal resistant.
- (2) Reduced energy cost of the LEDs.
- (3) LEDs will not break, unlike conventional lamps, if the worklight is dropped.
- (4) LEDs contain no mercury and emit no ultraviolet light.

These lighting grade LEDs offer efficient illumination that - depending on the application - can last up to 127,000 hours before their light output falls below 70% of original illumination and even longer in refrigerated environments.



**SBA QUALIFIED
SMALL BUSINESS MANUFACTURER**

TAA COMPLIANT
TRADE AGREEMENT ACT COMPLIANT

**LENS AND HOUSING CARRY A
LIFETIME WARRANTY AGAINST BREAKAGE.**

Specifications Subject to Change Without Notice

© 2019 W. F. Harris Lighting, Inc.

W.F. Harris Lighting, Inc.™

Innovative Lighting Designs Since 1970

P.O. Box 5023, Monroe, NC 28111-5023, USA
704.283.7477 (HEADQUARTERS) • 800.842.9345 (TOLL FREE)

e-mail: customerservice@wfharris.com

www.wfharrislighting.com

Printed in USA

Form 2572-2BJ

“W. F. Harris Lighting Will Not Sacrifice Quality for the Sake of Price.”