

LED FREEZER LUMINAIRE

SLIM PROFILE CEILING LUMINAIRE FOR FREEZER APPLICATIONS

Model 1200-LED-4K-WLM-SL

Watertight • Rust Resistant • Vandal Resistant • Nonconductive



Watertight LED ceiling luminaire provides efficient, effective and safe illumination in a slim profile unit that is vandal resistant, nonconductive and does not allow corrosion. Specifically designed for freezer applications in grocery stores to withstand moisture resulting from atmospheric heat and cold. A mounting bracket of rust resistant tempered marine-grade aluminum attaches the luminaire to the ceiling and forms a barrier between the mounting surface and the unit to prevent moisture dripping into the luminaire.

The impact-resistant **Polycarbonate** slim lens and housing are nonconductive to assure more safety to the end user. In ambient temperatures the unit operates between -40°F and 104°F. The luminaire utilizes high quality LEDs and Driver to further enhance reliability and durability while reducing power consumption.

These luminaires are also ideal for other normal and challenging locations requiring corrosion-resistant, brilliant and dependable lighting sources in freezers.

LEDs contain no Mercury and emit no ultraviolet light. LEDs will not break like all other lamps if the luminaire is dropped.

Specifications


Lens: Injection molded lens of UV-stabilized **polycarbonate**. Average thickness is .125". Lenses available are shallow diffused clear and shallow opal white. They provide optimal light output and diffusion. A smooth exterior surface allows ease of cleaning while rounded corners increase impact strength and safety.

Base Plate: **Rust resistant** .080" 5052 H-32 tempered marine-grade aluminum.

Housing: Injection molded of UV-stabilized reinforced white or bronze **polycarbonate**.

Gasket: Lens gasket and mounting gasket are closed-cell neoprene rubber.

LEDs: **High Quality Lighting Grade LEDs**
Available in 3,000-5,000K Color Temperatures.
LED Lumen Maintenance = 96,000 hours
4K = 4,000 Lumens
Calculations Based on US Department of Energy Worksheet. DOE TM-21-11, 70%.
Warranted for five (5) years.

Driver: **High Quality Driver**
Class 2 Power Supply. AC Input: 120-277V

Complies with FCC rules and regulations, as per Title 47 CFR Part 15 Non-Consumer (Class A) for EMI/RFI (conducted and radiated) at full load.
Warranted for five (5) years.



Mounting Bracket: Rust resistant .125" 5052 H-32 tempered marine grade aluminum. Dimensions: 2.5" (W) x 15. " (L) x .125" thick.

Cord: Six-foot black cord 18-3 AWG SJTOW hard-service rubber. Liquid tight strain relief fitting exceeds NEMA 6 specifications for moisture-secure operation.

Hardware: Four stainless steel 8-32x3/8 phillips truss head screws or tamperproof screws attach lens to base plate. Four zinc-plated steel 1/4-15x3/4 phillips pan head screws attach base plate to housing.



**SBA QUALIFIED
SMALL BUSINESS MANUFACTURER**

TAA COMPLIANT
TRADE AGREEMENT ACT COMPLIANT

ETL-US and ETL-C Listed for Wet Location Applications (UL153 for Portable Operation.)

All polycarbonate components meet Underwriters Laboratories 746C tests for polymeric material and carry a flammability rating of 94HB or better on lenses and the superior 94-5V rating on housings.

Luminaire Type _____
Catalog Number _____
Product Code _____
Job Name _____
Approval _____

WF Harris Lighting, Inc.™

Innovative Lighting Designs Since 1970

P.O. Box 5023, Monroe, NC 28111-5023, USA
704.283.7477 (HEADQUARTERS) • 800.842.9345 (TOLL FREE)
e-mail: customerservice@wfarris.com
www.wfharrislighting.com

Form 2575-9AI

"A Live Operator Company Standing Ready to Serve Your Lighting Needs"

LED FREEZER LUMINAIRE

Ordering Information

Fill In Blocks For Complete Model Number

Model

1200-LED-4K-WLM-SLDC - Luminaire with Diffused Clear Slim Lens
1200-LED-4K-WLM-SLOW - Luminaire with Opal White Slim Lens

Housing Color

SHW - Slim White Housing
SHB - Slim Bronze Housing

Options

TPS - Tamperproof Screws (4).
Additional charge.

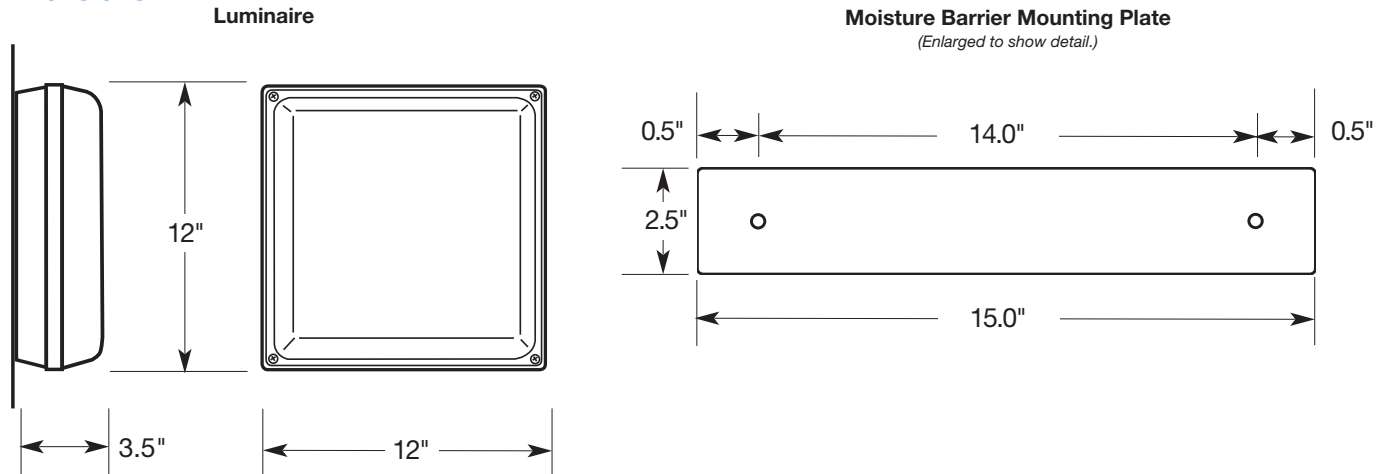
Accessories

(Order Separately)

TPT-Tamperproof Screwdriver



Dimensions



Weight

1200-LED-4K-WLM-SLDC = 9.0 lbs.

1200-LED-4K-WLM-SLOW = 9.0 lbs.

LEDs and the W. F. Harris Lighting Advantage

The lighting grade LEDs used by W. F. Harris Lighting provide the long sought-after stability demanded for commercial illumination in brightness, efficacy, life time, and color temperatures. Can be used for commercial/industrial illumination in freezer applications.

W. F. Harris Lighting LED-based luminaires reduce ownership costs through four factors –

- (1) Maintenance avoidance – LEDs last much longer than traditional lamps plus the luminaire is rust resistant and vandal resistant.
- (2) Reduced energy cost of the LEDs.
- (3) Reduced cost in operation of freezer compressors due to lower wattage and less heat.
- (4) LEDs do not break when dropped like ordinary lamps.

These lighting grade LEDs offer efficient illumination that - depending on the application - can last up to 96,000 hours before their light output falls below 70% of original illumination and even longer in refrigerated environments.



**SBA QUALIFIED
SMALL BUSINESS MANUFACTURER**



**LENS AND HOUSING CARRY A
LIFETIME WARRANTY AGAINST BREAKAGE.**

Specifications Subject to Change Without Notice.

W.F. Harris Lighting, Inc.™

Innovative Lighting Designs Since 1970

P.O. Box 5023, Monroe, NC 28111-5023, USA

704.283.7477 (HEADQUARTERS) • 800.842.9345 (TOLL FREE)

e-mail: customerservice@wfarris.com

www.wfarrislighting.com

© 2019 W. F. Harris Lighting, Inc.

Printed in USA

Form 2575-9AI

W. F. Harris Lighting Will Not Sacrifice Quality for the Sake of Price.™