

# FLUORESCENT

## 80-WP Series

*Rust Resistant, Vandal Resistant Wall Luminaire  
42 Watts Maximum - Electronic  
Lamp and Ballast System*



The lens, lamp orientation, and internal reflector in this wall-pack luminaire are designed to produce optimal light directly in front of and along building walls. Engineered with materials offering **high resistance to impact, rust, and corrosion**. The **polycarbonate** housing is lightweight for easy installation and is totally nonconductive for safety during installation and relamping. Smooth exterior lens allows ease of cleaning, clear prismatic interior for optimal lumen output, rounded corners for increased impact strength and safety. Ideally suited as security or aesthetic lighting for the interior/exterior walls of commercial and industrial buildings, schools, hospitals, public housing, and government installations.

### Specifications

**Lens:** One piece injection molded UV-stabilized **polycarbonate**. Average thickness is  $\frac{1}{8}$ ". Smooth exterior surface allows ease of cleaning, clear prismatic interior provides optimal light output, and rounded corners increase impact strength and user safety. Masked in bronze or white, high-temperature, weather-resistant polyurethane paint.

**Base Plate:** **Rust resistant** .063" 5052 H-32 tempered marine-grade aluminum.

**Housing:** Injection molded UV-stabilized reinforced bronze or white **polycarbonate**. Rear knockout for supply wire. Available with up to four threaded connections and plugs suitable for  $\frac{1}{2}$ " conduit (specify connection positions).

**Gasket:** Lens gasket and mounting gasket are closed-cell neoprene rubber.

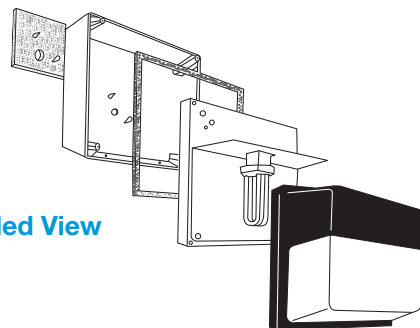
**Socket:** Four pin. Rated at 75W, 600V for GX24Q base.

**Reflector:** Highly reflective anodized aluminum finish.

**Lamp:** PLT four pin.  
**(Optional)**

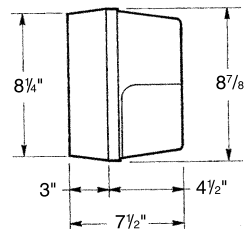
**Ballast:** Electronic P rated, HPF. 120V through 277V. Starting temperature is 0°F. 50/60 Hz.

**Hardware:** Four stainless-steel 8-32 phillips truss head screws or tamperproof screws attach lens to base plate.



Exploded View

### Dimensions



**SBA QUALIFIED  
SMALL BUSINESS MANUFACTURER**

**TAA COMPLIANT**  
TRADE AGREEMENT ACT COMPLIANT

### ETL-USA and ETL-C Listed For Wet Locations.

All polycarbonate components meet Underwriters Laboratories 746C tests for polymeric material and carry a flammability rating of 94HB or better on lenses and the superior 94-5V rating on housings.

Luminaire Type \_\_\_\_\_  
Catalog Number \_\_\_\_\_  
Job Name \_\_\_\_\_  
Approval \_\_\_\_\_

**WF Harris Lighting, Inc.™**

**Innovative Lighting Designs Since 1970**

P.O. Box 5023, Monroe, NC 28111-5023, USA  
704.283.7477 (HEADQUARTERS) • 800.842.9345 (TOLL FREE)

e-mail: customerservice@wfharris.com  
www.wfharrislighting.com

Form 1556

5/19

*"A Live Operator Company Standing Ready to Serve Your Lighting Needs"*


# FLUORESCENT

Ordering Information (Fill In Blanks For Complete Catalog Number)

80-WP Model	Housing	Watts-Lamp	HPF Power Factor	Volts	Options	Conduit Connections
Model	Housing	Watts/ Lamp	Power Factor	Volts	Options	Conduit Connections (80H Required)
80-WP	HB-Bronze HW-White	2-13 QD 18 PLT 26 PLT 32 PLT 42 PLT	HPF	120-277	<b>LP-LAMP</b> <b>PC-Photo Control</b> (Specify 120V or 277V) <sup>1</sup> <b>EM-(1 Lamp)</b> One Lamp Operates Full Time and During Emergency (Listed for Wet Location) <b>EM-(2 Lamp)</b> One Lamp Operates Full Time and One Lamp Operates During Emergency (Listed for Wet Location) <b>EMO-(1 Lamp)</b> One Lamp Only Operates During Emergency (Listed for Wet Location) <b>TPS-Tamperproof Screws</b> <b>FS-Fuse and Holder</b>	<b>CRS-Right Side</b> <b>CLS-Left Side</b> <b>CT-Top</b> <b>CB-Bottom</b> <b>C4-All</b> <b>CT-Top</b> <b>CB-Bottom</b> <small>(Positions Based on Facing Fixture)</small>

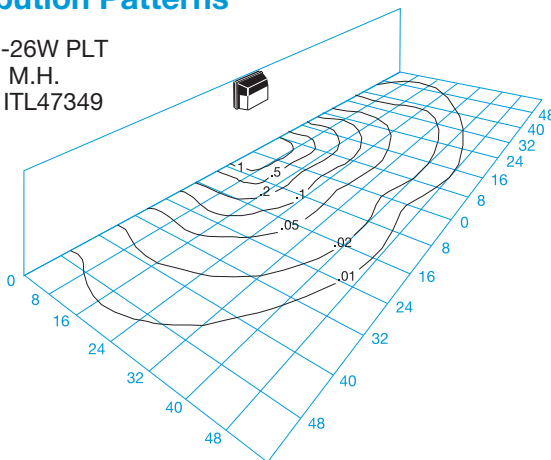
<sup>1</sup> Housing Required.

**Accessories** (Order Separately)

**TPT-Tamperproof Screwdriver** 

## Light Distribution Patterns

Model 80-WP-1-26W PLT  
Wall Mounted 8' M.H.  
Test Report No. ITL47349



## Conversion Tables

Lamp	Lamp Conversion Factor	Mounting Height	Height Conversion Factor
18 PLT	.67	8'	1.00
26 PLT	1.00	10'	.64
32 PLT	1.33	12'	.44
42 PLT	1.76		

### Using Conversion Table

TO ADJUST FOOTCANDLES (FC) SHOWN IN DIAGRAM AT LEFT, USE FOLLOWING FORMULA WITH LAMP CONVERSION FACTOR (LCF) AND HEIGHT CONVERSION FACTOR (HCF):

$$FC \times LCF = FC \text{ with alternate lamp}$$

$$FC \times HCF = FC \text{ at alternate height}$$

$$FC \times LCF \times HCF = FC \text{ with alternate lamp at alternate height}$$

## Fluorescent Lamp Performance

	Input Watts	Lumen Output	Lamp Life (Hours)
18 PLT	20W	1,200	10,000
26 PLT	29W	1,800	10,000
32 PLT	36W	2,400	10,000
42 PLT	46W	3,200	10,000

Specifications Subject to Change Without Notice

Luminaire is Warranted to be Free of Defects in Materials and Workmanship for One Year From Invoice Date.

**LENS AND HOUSING CARRY A LIFETIME WARRANTY.**



**SBA QUALIFIED  
SMALL BUSINESS MANUFACTURER**

**TAA COMPLIANT**  
TRADE AGREEMENT ACT COMPLIANT

**W.F. Harris Lighting, Inc.™**

**Innovative Lighting Designs Since 1970**

P.O. Box 5023, Monroe, NC 28111-5023, USA

704.283.7477 (HEADQUARTERS) • 800.842.9345 (TOLL FREE)

e-mail: customerservice@wfharris.com

www.wfharrislighting.com

Printed in USA

Form 1556

5/19

*"W. F. Harris Lighting Will Not Sacrifice Quality for the Sake of Price."*