

LED WORKLIGHT/TEMPORARY LIGHTING

Model 100-WL-LED-4K4 Model 200-WL-LED-8K8



Efficient, safe LED illumination for task lighting in the assembly, fabrication, and maintenance of aircraft, fleet vehicles, and other commercial/industrial area lighting. **Quality engineered to resist rust, corrosion, moisture, dust and impact.** The lens is impact-resistant **polycarbonate**. Fiberglass reinforced polyester housing is a compression-molded one-piece construction. High quality LEDs and Driver ensure high reliability and durability while delivering low power consumption.

LEDs contain no mercury and emit no ultraviolet light.
LEDs will not break, unlike conventional lamps, if unit is dropped.

Specifications

Lens: Vacuum-formed impact resistant **polycarbonate** lens facilitates maximum light control and emission. Smooth exterior allows ease of cleaning. Edge is flanged to fit snugly into the gasketed retention channel for a continuous seal against moisture and dust.

Housing: Rigid one-piece construction, compression-molded fiberglass reinforced polyester (self-extinguishing ASTM D635-74).

Gasket: Continuous poured-in-place gasket completely fills the perimeter channel of the housing and snugly accepts lens flange for maximum seal integrity against moisture and dust. Gasket cannot separate, shift or fall out.

LEDs: **High Quality Lighting Grade LEDs**
White lighting class LEDs are mounted on a 0.125" aluminum plate.
5,000K Color temperature.
100 Worklight/temporary lighting = 4,400 Lumens
200 Worklight/temporary lighting = 8,800 Lumens
L70 lifetime up to 50,000 hours.
Warranted for five (5) years.

Driver: **High Quality Drivers**
Class 2 Power Supply.
AC Input: 120V
Power = 40 Watts
Power = 80 Watts

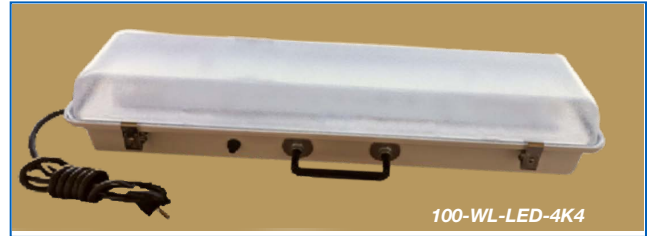


Complies with FCC rules and regulations, as per Title 47 CFR Part 15 Non-Consumer (Class A) for EMI/RFI (conducted and radiated) at full load.

Warranted for five (5) years.



200-WL-LED-8K8



100-WL-LED-4K4

Latches: Standard are two pairs of stainless steel suitcase style latches that secure a positive seal between housing, gasket and lens. Ideal for marine or other damp location applications. Also available are latches of white Celcon or polycarbonate materials. Special tamperproof latches are available as a custom component in stainless steel or polycarbonate.

Cord: Six-foot long black cord, 18 AWG SJTOW, 3-prong NEMA 5-15 plug. Liquid tight strain relief fitting meets NEMA 6 specifications. Operates on 120VAC.

Hardware and Mounting Systems: Two heavy-duty magnets (pull rated for 90 lbs. each) for beam support and for mounting on the optional cart, and a three-quarter inch center diameter eyebolt for overhead support by safety chain (chain not included). Water-resistant switch, zinc-plated steel handle with black nonconductive rubber coating.

ETL-US and ETL-C (UL 153)

The polycarbonate lens carries a flammability rating of 94HB or better. The self-extinguishing fiberglass housing has the superior SE-O rating.

Luminaire Type _____
Catalog Number _____
Product Code _____
Job Name _____
Approval _____



**SBA QUALIFIED
SMALL BUSINESS MANUFACTURER**

TAA COMPLIANT
TRADE AGREEMENT ACT COMPLIANT

WF Harris Lighting, Inc.™

Innovative Lighting Designs Since 1970

P.O. Box 5023, Monroe, NC 28111-5023, USA

704.283.7477 (HEADQUARTERS) • 800.842.9345 (TOLL FREE)

e-mail: customerservice@wfharris.com

www.wfharrislighting.com

Form 2518-11AI

"A Live Operator Company Standing Ready to Serve Your Lighting Needs."

LED WORKLIGHT/TEMPORARY LIGHTING

Ordering Information

Standard Unit: Fill In Blocks For Complete Catalog Number

-

Model

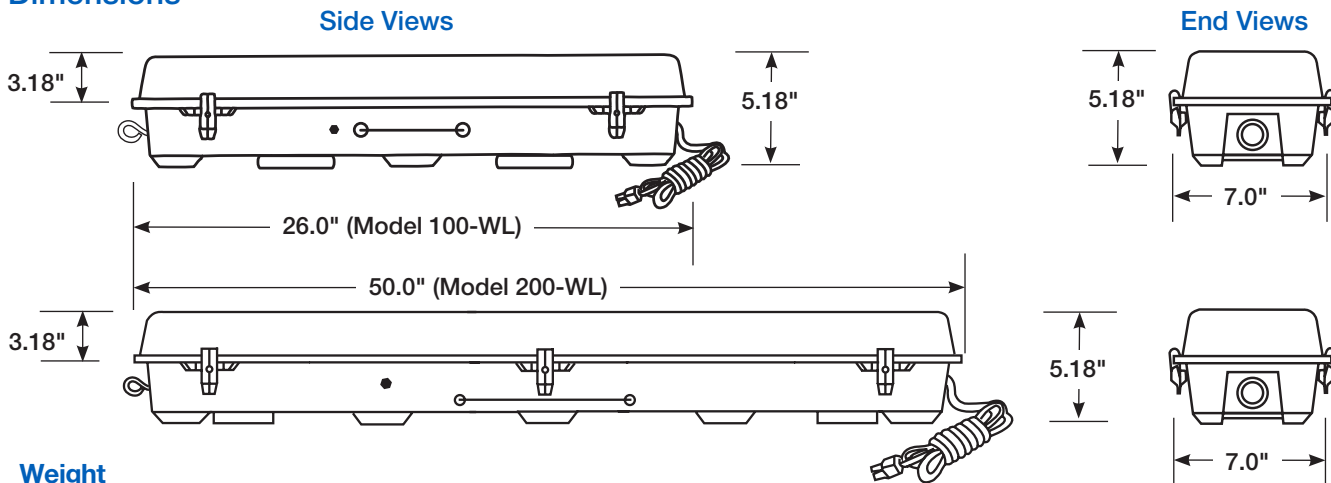
100-WL-LED-4K4
200-WL-LED-8K8

Options

LSSTP-Stainless Steel Tamperproof Latch*
LPC-Polycarbonate Latch*
LCW-Celçon Latch*
LPCTP3-Tamperproof Polycarbonate Latch*
LCWTP3-Tamperproof Celçon Latch*

*Special Latches Available as Custom Components.
Consult Factory for Availability.

Dimensions



Weight

100-WL-LED-4K4 = 11.5 lbs.
200-WL-LED-8K8 = 14.5 lbs.

LEDs and the W. F. Harris Lighting Advantage

The lighting class LEDs used by W. F. Harris Lighting provide the long sought-after stability demanded for commercial illumination in brightness, efficacy, life time, and color temperatures. Can be used in commercial/industrial illumination applications, hospitals, schools, universities, government buildings, military installations and freezer applications.

W. F. Harris Lighting LED-based luminaires reduce ownership costs through four factors –

- (1) Maintenance avoidance – LEDs last much longer than traditional lamps plus the luminaires are corrosion and vandal resistant.
- (2) Reduced energy cost of the LEDs.
- (3) Reduced cost in operation of freezer compressors due to lower wattage and less heat.
- (4) LEDs do not break when dropped like ordinary lamps.

These lighting grade LEDs offer efficient illumination that - depending on the application - can last up to 50,000 hours of output before their light output falls below 70% of original illumination and even longer in refrigerated environments.



**SBA QUALIFIED
SMALL BUSINESS MANUFACTURER**

TAA COMPLIANT
TRADE AGREEMENT ACT COMPLIANT

**POLYCARBONATE LENS CARRIES A
LIFETIME WARRANTY AGAINST BREAKAGE.**

Specifications Subject to Change Without Notice

W.F. Harris Lighting, Inc.™

Innovative Lighting Designs Since 1970

P.O. Box 5023, Monroe, NC 28111-5023, USA

704.283.7477 (HEADQUARTERS) • 800.842.9345 (TOLL FREE)

e-mail: customerservice@wfarris.com

www.wfharrislighting.com

© 2019 W. F. Harris Lighting, Inc.

Printed in USA

Form 2518-11AI

“W. F. Harris Lighting Will Not Sacrifice Quality for the Sake of Price.”