

# HPS-METAL HALIDE



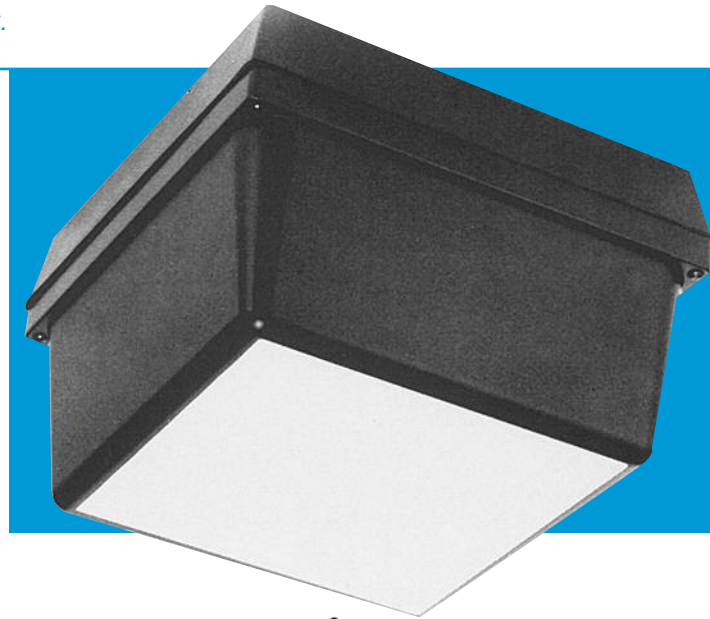
## 1200-PS Series

*Rustproof Vandal-Resistant Ceiling Luminaire  
High Pressure Sodium 150W Max.  
Metal Halide 150W Max.*

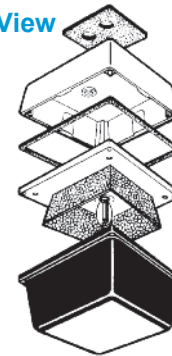
Designed for indoor/outdoor use to provide symmetrical light distribution and eliminate objectionable glare. **Rustproof.** Engineered with materials offering the **highest resistance to rust, corrosion and impact.** Smooth exterior surface for ease of cleaning and rounded corners for added strength and safety. The **polycarbonate** housing is **nonconductive**, insuring more safety to the end user. Ideally suited for schools, motels, apartments, parking areas, commercial establishments, and other applications with low ceiling heights.

### Specifications

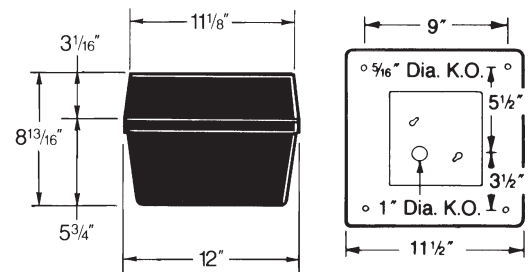
<b>Lens:</b>	One piece, injection molded UV-stabilized <b>polycarbonate.</b> Average $\frac{1}{8}$ " thickness. Clear prismatic lens (bottom) softens lamp image. Bronze painted sides enhance appearance and eliminate objectionable glare at low mounting heights. (For White painted sides, consult factory for availability and pricing.)
<b>Base Plate:</b>	<b>Rustproof .080"</b> 5052 H-32 tempered marine-grade aluminum.
<b>Housing:</b>	Injection molded of UV-stabilized reinforced bronze <b>polycarbonate.</b> Rear knockout for supply wire. Available with up to four threaded connections and plugs suitable for $\frac{1}{2}$ " conduit.
<b>Gasket:</b>	Closed-cell neoprene rubber in $\frac{1}{8}$ " thickness creates a tight seal against moisture and contaminants.
<b>Socket:</b>	Medium base phenolic with nickel-plated copper screw shell, 4kV pulse rated.
<b>Reflector:</b>	Formed of anodized aluminum in a hammertone texture projecting 77.7% total reflectivity.
<b>Lamp: (optional)</b>	High-efficiency, medium-base High Pressure Sodium lamp in 50 (ANSI S68), 70 (ANSI S62), 100 (ANSI S54), and 150 (ANSI S55) watts. Medium-base lamp Metal Halide in 70 (ANSI M101) watts.
<b>Ballast:</b>	Normal Power Factor (NPF) for 120V and High Power Factor (HPF) 120V for High Pressure Sodium. HPF 120/208/240/277V for Metal Halide.
<b>Hardware:</b>	Four stainless steel 8-32 phillips truss head screws or tamperproof screws (TORX® type) attach lens to base plate.



Exploded View



Dimensions



### ETL-US and ETL-C Listed For Wet Locations.

All polycarbonate components meet Underwriters Laboratories 746C tests for polymeric material and carry a flammability rating of 94HB or better on lenses and the superior 94-5V rating on housings.

Luminaire Type \_\_\_\_\_  
 Catalog Number \_\_\_\_\_  
 Job Name \_\_\_\_\_  
 Approval \_\_\_\_\_

**WF Harris Lighting**

**Innovative Lighting Designs Since 1970**

P.O. Box 5023, Monroe, NC 28111-5023, USA  
 (704) 283-7477 (OPERATOR ASSIST) • (704) 283-6880 (FAX)  
 (800) 842-9345 (TOLL FREE)

e-mail: customerservice@wfarris.com  
 www.wfarrislighting.com

Form 1541

10/15


*"A Live Operator Company Standing Ready to Serve Your Lighting Needs"*

# HPS-METAL HALIDE

Ordering Information (Fill In Blanks For Complete Catalog Number)

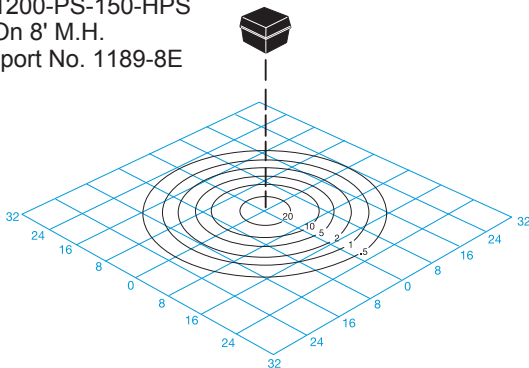
Model	Watts-Lamp	Power Factor	Volts	Options	Conduit Connections
<b>Model</b>	<b>Watts/Lamp</b>	<b>Power Factor / Volts</b>		<b>Options</b>	<b>Conduit Connections</b>
1200-PS	50 HPS 70 HPS 100 HPS 150 HPS <sup>5</sup> 70 MH	NPF 120 <sup>2</sup> HPF 120 <sup>3</sup> HPF 120/208/240/277 <sup>4</sup>		PC-Photo Control <sup>1</sup> LP-Lamp TPS-Tamperproof Screws FS-Fuse and Holder QRS- Quartz Restrike System (120V) QRS-LP-Quartz Restrike System With 100 Q/DC Lamp (ANSI ESR) <sup>3</sup> (120V) QRSTS-Quartz Restrike System With Timed System (120V) QRSTS-LP-Quartz Restrike System With Timed System and 100 Q/DC Lamp (ANSI ESR)(120V)	CRS-Right Side CLS-Left Side CT-Top CB-Bottom C4-All (Positions Based on Facing Luminaire)

<sup>1</sup>Specify Voltage - 120V or 277V Only  
<sup>2</sup>Available for 50 HPS or 150 HPS.  
<sup>3</sup>Available for 70 HPS or 100 HPS.  
<sup>4</sup>Available for 70 MH Only.  
<sup>5</sup>Not for Use On Insulated Ceilings.

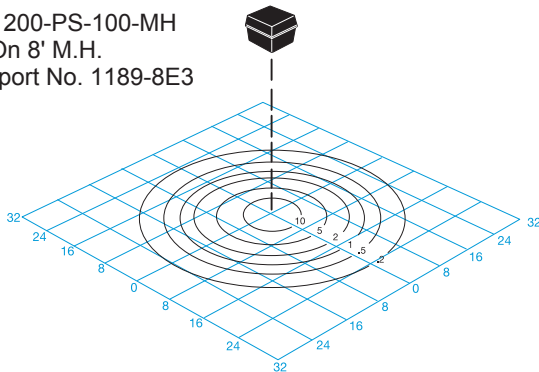
**Accessories** (Order Separately)  
 TPT-Tamperproof Screwdriver 

## Light Distribution Patterns

**Model 1200-PS-150-HPS**  
 Based On 8' M.H.  
 Test Report No. 1189-8E



**Model 1200-PS-100-MH**  
 Based On 8' M.H.  
 Test Report No. 1189-8E3



## Conversion Tables

Lamp	Lamp Conversion Factor	Mounting Height	Height Conversion Factor
150 HPS	1.00	8'	1.00
100 HPS	.59	10'	.64
70 HPS	.39	12'	.45
50 HPS	.25	14'	.32
75 MH	.66	8'	1.00
		10	.64

### Using Conversion Table

TO ADJUST FC, USE FOLLOWING FORMULA WITH LAMP CONVERSION FACTOR (LCF) AND HEIGHT CONVERSION FACTOR (HCF):

$$FC \times LCF = FC \text{ with alternate lamp}$$

$$FC \times HCF = FC \text{ at alternate height}$$

$$FC \times LCF \times HCF = FC \text{ with alternate lamp at alternate height}$$

Specifications Subject to Change Without Notice

Luminaire is Warranted to be Free of Defects in Materials and Workmanship for One Year From Invoice Date.

**LENS, HOUSING, AND ALUMINUM BASE PLATE CARRY A LIFETIME GUARANTEE.**

# W.F. Harris Lighting

Innovative Lighting Designs Since 1970

P.O. Box 5023, Monroe, NC 28111-5023, USA  
 (704) 283-7477 (OPERATOR ASSIST) • (704) 283-6880 (FAX)  
 (800) 842-9345 (TOLL FREE)

e-mail: customerservice@wfharris.com  
 www.wfharrislighting.com

Printed in USA

Form 1541

10/15



*"W. F. Harris Lighting Will Not Sacrifice Quality for the Sake of Price."*