

# OUTDOOR ENTRY LIGHT

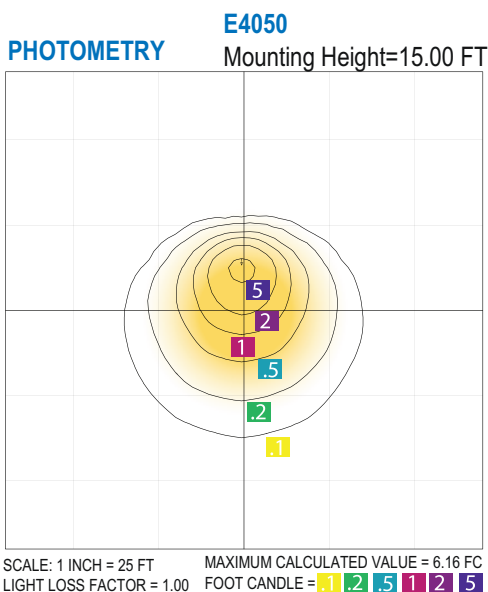
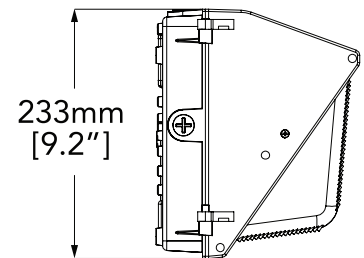
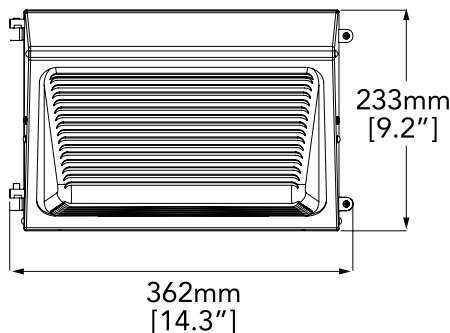
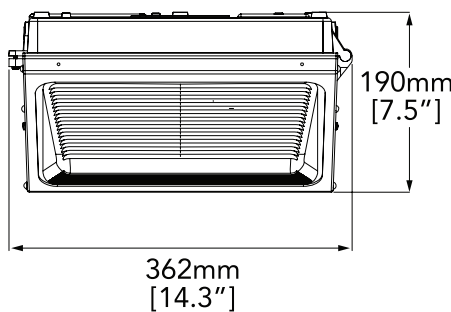
## WALL LIGHT MODEL: E4050



- Impact and weather resistant fixture with full polycarbonate housings and lenses. Prismatic lens for better glare control.
  - Universal mounting plate with integral wire hooks for easy hands free installation.
  - Bronze housing finish as stock, special order colors available (white, silver, gray, and black). Call for more information.
  - Photocell included with optional photocell cap.
  - Name brand chip and DOB technology with a five (5) year warranty.
- Order: E4050-50W-4K-V8-D-PC-S1-BZ**



### Dimensions



### Specifications

- Lumens (LM):** 6500LM
- Efficacy (LPW):** Up to 130LPW
- Input Voltage:** 120-277V
- CRI:** >70
- Equivalency (W):** 250W MH
- Operating Temp:** -30-40°C
- Warranty:** 5 Years

**WF Harris Lighting, Inc.**

**Innovative Lighting Designs Since 1970**

4015 Airport Ext. Road • Monroe, NC 28110 USA  
704.283.7477 (Headquarters) • 800.842.9345 (Toll Free)

E-Mail: [customerservice@wfharris.com](mailto:customerservice@wfharris.com)  
[www.wfharrislighting.com](http://www.wfharrislighting.com)