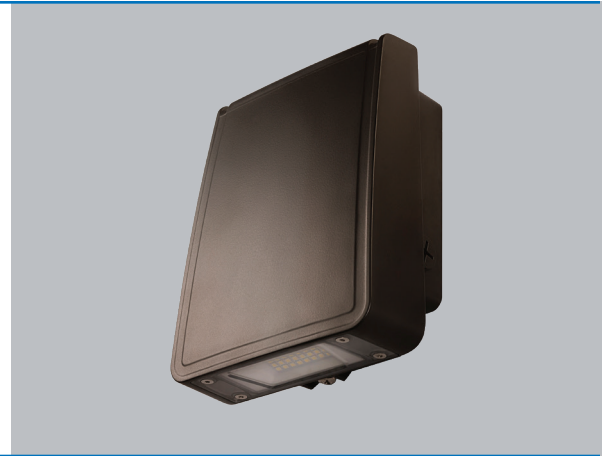


OUTDOOR ENTRY LIGHT

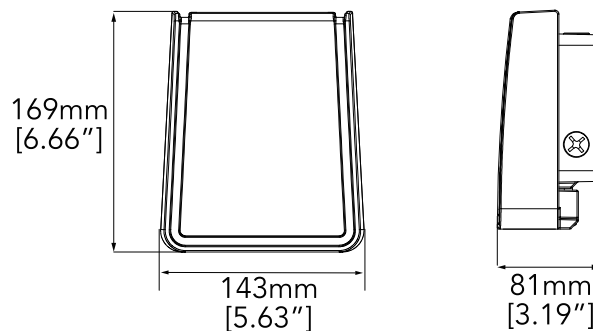
WALL LIGHT MODEL: E101



- Industrial grade Impact & weather resistant fixture with die cast aluminum housings.
- Bronze housing finish as stock, special order colors available(white, silver,gray and black). Call for more information.
- Lumileds chip and high quality driver @ 5 year warranty.
- Dark sky compliant mounting.

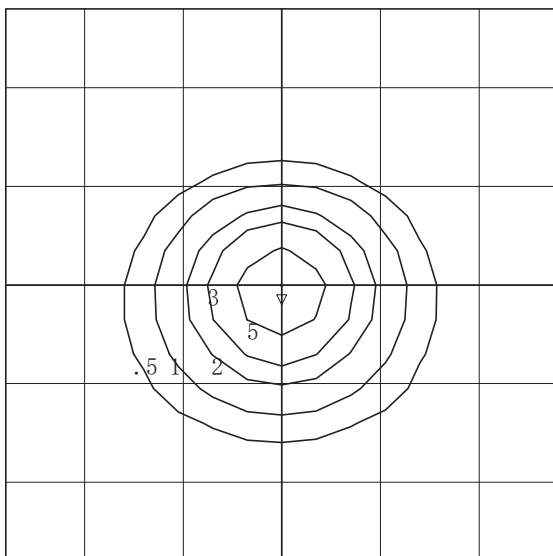


Dimensions



PHOTOMETRY

E101



Horizontal Footcandles
Scale: 1 Inch = 8 Ft.
Light Loss Factor = 1.00
Lumens Per Lamp = 1749.8
Total Lamp Lumens = 1749.8
Mounting Height = 10.00 Ft
Maximum Calculated Value = 7.18 Fc
Arrangement: Single

Specifications

Lumens (LM): 1800LM
Efficacy (LPW): UP TO 120LPW
Input Voltage: 120-277V
CRI: > 70
Equivalency (W): 70W MH
Operating Temp: -30 - 40°C
Warranty: 5 Years

WF Harris Lighting, Inc.

Innovative Lighting Designs Since 1970

4015 Airport Ext. Road • Monroe, NC 28110 USA
704.283.7477 (Headquarters) • 800.842.9345 (Toll Free)

E-Mail: customerservice@wfharris.com
www.wfharrislighting.com