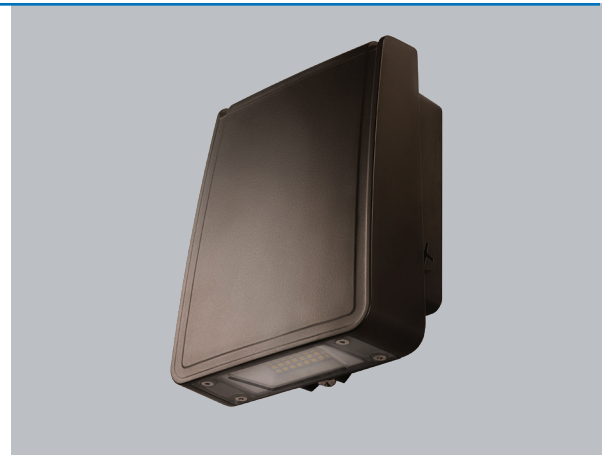


# OUTDOOR ENTRY LIGHT

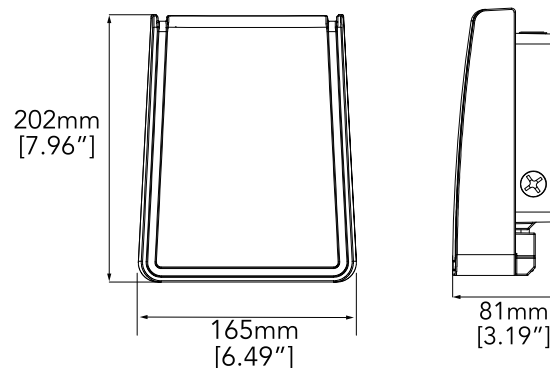
## WALL LIGHT MODEL: E102



- Industrial grade Impact & weather resistant fixture with die cast aluminum housings.
- Bronze housing finish as stock, special order colors available(white, silver,gray and black). Call for more information.
- Lumileds chip and high quality driver @ 5 year warranty.
- Dark sky compliant mounting.

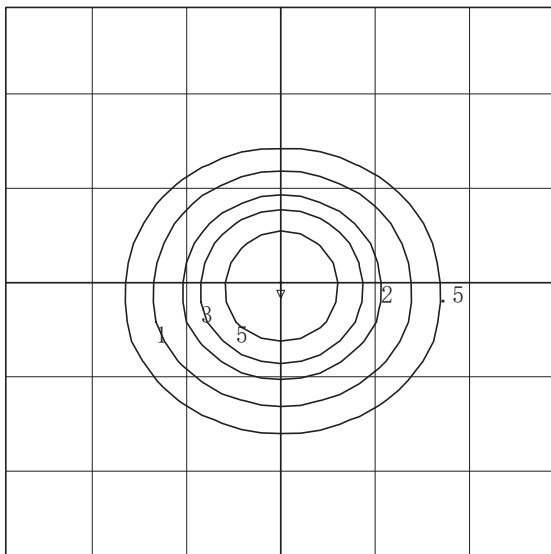


### Dimensions



### PHOTOMETRY

E102



Horizontal Footcandles  
Scale: 1 Inch = 10 Ft.  
Light Loss Factor = 1.00  
Lumens Per Lamp = 3264.9  
Total Lamp Lumens = 3264.9  
Mounting Height = 12.00 Ft  
Maximum Calculated Value = 9.23 Fc  
Arrangement: Single

### Specifications

Lumens (LM): 3300LM  
Efficacy (LPW): UP TO 117LPW  
Input Voltage: 120-277V  
CRI: > 70  
Equivalency (W): 125W MH  
Operating Temp: -30 - 40°C  
Warranty: 5 Years

# WF Harris Lighting, Inc.

Innovative Lighting Designs Since 1970

4015 Airport Ext. Road • Monroe, NC 28110 USA  
704.283.7477 (Headquarters) • 800.842.9345 (Toll Free)

E-Mail: [customerservice@wfharris.com](mailto:customerservice@wfharris.com)

[www.wfharrislighting.com](http://www.wfharrislighting.com)