

OUTDOOR ENTRY LIGHT

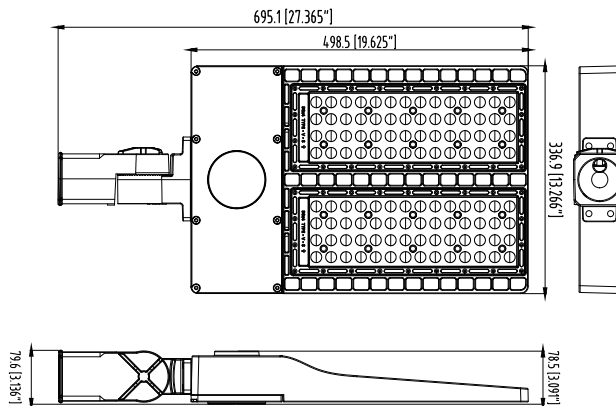
AREA LIGHT MODEL: E965



- Industrial grade area light family with multiple mounting configurations for maximum application versatility. Slip Fitter as stock, other mounting arms available for special order. Call for more information.
- Impact & weather resistant fixture with die cast aluminium housings and polycarbonate T5 Optic lenses.
- 3 pin Photocell Receptacle and Photocell as standard.
- 0-10V dimming as standard.
- Bronze housing finish as stock, special order colors available (white, silver, gray and black). Call for more information.
- Name brand chip and high quality driver @ 5 year.

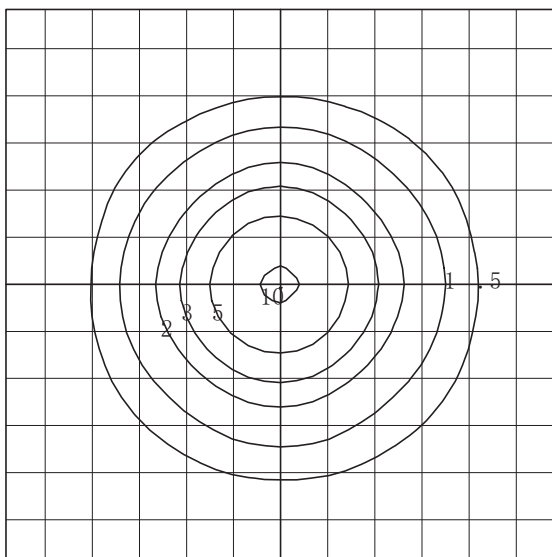


Dimensions



PHOTOMETRY

E960



Horizontal Footcandles
 Scale: 1 Inch = 25 Ft.
 Light Loss Factor = 1.00
 Lumens Per Lamp = N.A. (absolute photometry)
 Luminaire Lumens = 32391
 Mounting Height = 25.00 Ft
 Maximum Calculated Value = 10.78 Fc
 Arrangement: Single

Specifications

- Lumens (LM): 33600LM
- Efficacy (LPW): UP TO 140LPW
- Input Voltage: 120-277V
- CRI: > 70
- Equivalency (W): 1300W MH
- Operating Temp: -30 - 40°C
- Warranty: 5 Years

WF Harris Lighting, Inc.

Innovative Lighting Designs Since 1970

4015 Airport Ext. Road • Monroe, NC 28110 USA
 704.283.7477 (Headquarters) • 800.842.9345 (Toll Free)

E-Mail: customerservice@wfharris.com
www.wfharrislighting.com