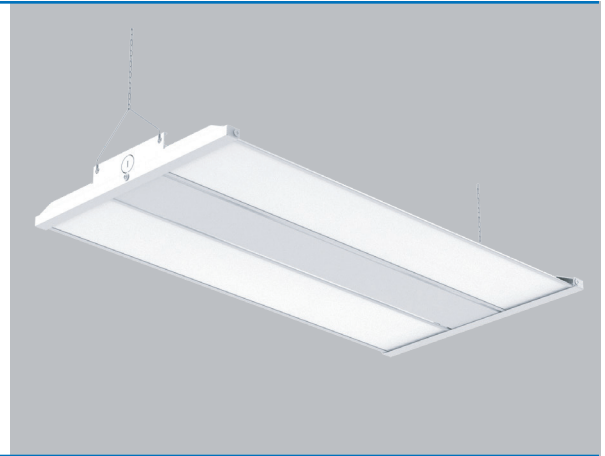


# INDOOR LINEAR HIGH BAY

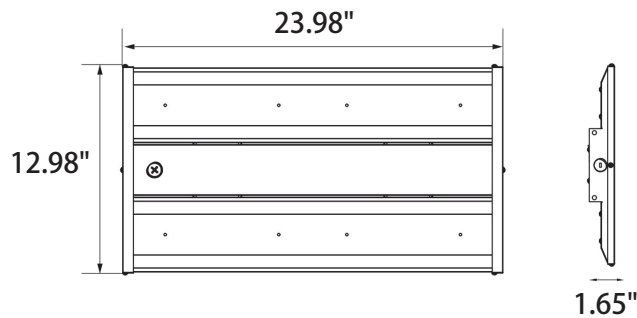
## LINEAR HIGH BAY: E862 LHBS



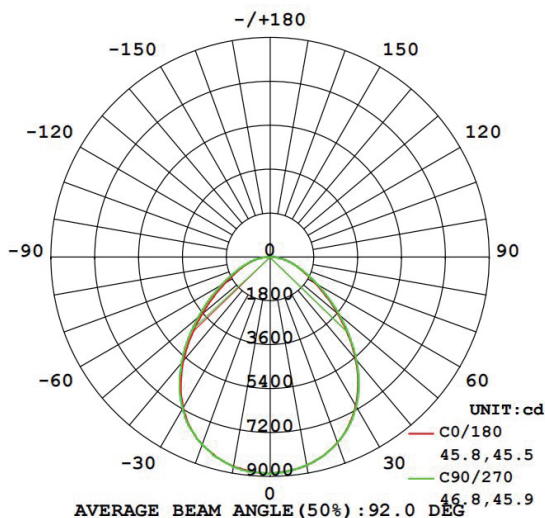
- With PC lens, never turn yellowing, high reliability.
- Multi-sizes, multi-lumen packages. Meet your various requests.
- Easy plug in sensor, NLC 5.0 Listed, Microwave/Bluetooth Sensor optional.
- Ultra slim design, only 42mm height, enlarging your loading qty and reduce shipping cost.
- Factory or Field Install EB available, 90 mins backup time, Integrated test button, easy installation.
- Galvanized sheet in white finish.



### Dimensions



### PHOTOMETRY



### Specifications

- Lumens (LM): 20150/23250/25575LM
- Efficacy (LPW): 155LM/W
- Input Voltage: 120-277V
- CRI: > 80
- Equivalency (W): 130/150/165W
- Operating Temp: -20°C to 45°C
- Warranty: 5 Years

**WF Harris Lighting, Inc.**

**Innovative Lighting Designs Since 1970**

4015 Airport Ext. Road • Monroe, NC 28110 USA  
704.283.7477 (Headquarters) • 800.842.9345 (Toll Free)

E-Mail: [customerservice@wfharris.com](mailto:customerservice@wfharris.com)  
[www.wfharrislighting.com](http://www.wfharrislighting.com)