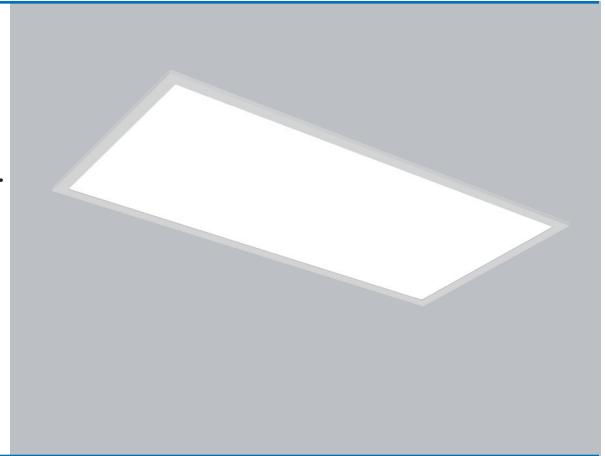


# INDOOR BACK-LIT PANEL

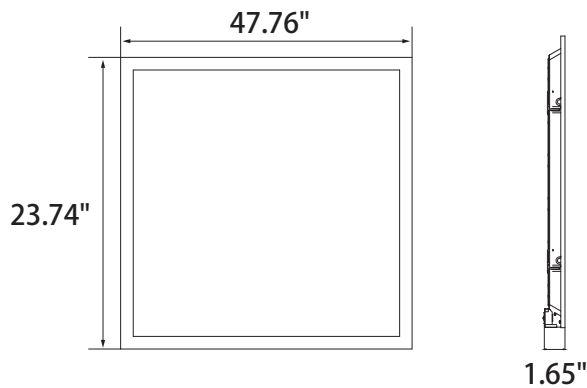
## BACK-LIT PANEL: E424



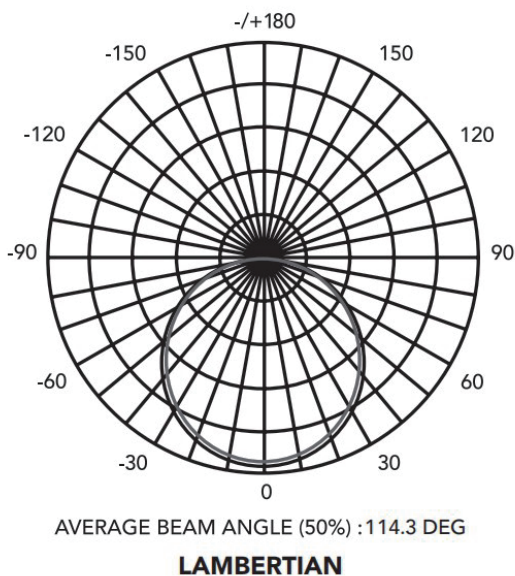
- Back-lit emitting, PMMA lens.
- Easy plug in sensor, NLC 5.0 Listed, PIR/Microwave/Bluetooth Sensor optional.
- Ultra slim design, only 34mm height, shipping cost effective.
- Integrated earthquake hook, recessed and suspension installation supportable.
- Factory or Field Install EB available, 90 mins backup time, Integrated test button, easy installation.
- Aluminum frame in white finish, Steel frame optional. steel die-formed back.



### Dimensions



### PHOTOMETRY



### Specifications

Lumens (LM): 3750/5000/5625LM  
Efficacy (LPW): 125LM/W  
Input Voltage: 120-277V  
CRI: > 80  
Equivalency (W): 30/40/45W  
Operating Temp: -20°C to 35°C  
Warranty: 5 Years

**WF Harris Lighting, Inc.**

**Innovative Lighting Designs Since 1970**

4015 Airport Ext. Road • Monroe, NC 28110 USA  
704.283.7477 (Headquarters) • 800.842.9345 (Toll Free)

E-Mail: [customerservice@wfharris.com](mailto:customerservice@wfharris.com)  
[www.wfharrislighting.com](http://www.wfharrislighting.com)