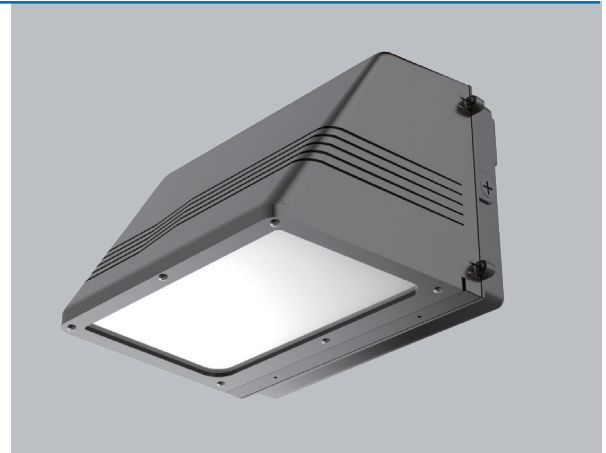


OUTDOOR ENTRY LIGHT

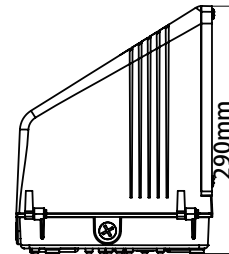
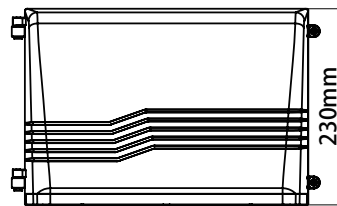
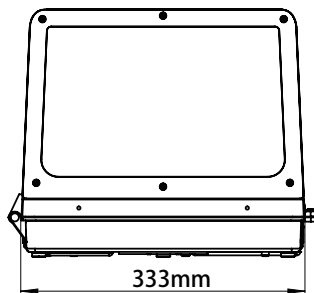
WALL LIGHT MODEL: E4090



- Traditional Impact & weather resistant fixture with die cast aluminum housings and glass lenses.
- 30W/60W/80W field adjustable and 3000K/4000K/5000K field adjustable.
- Universal mounting plate with easy wall mount installation.
- 0-10V dimming as standard.
- Bronze housing finish as stock, special order colors available(white, silver,gray and black). Call for more information.
- Name brand chip and high quality driver@ 5 year.

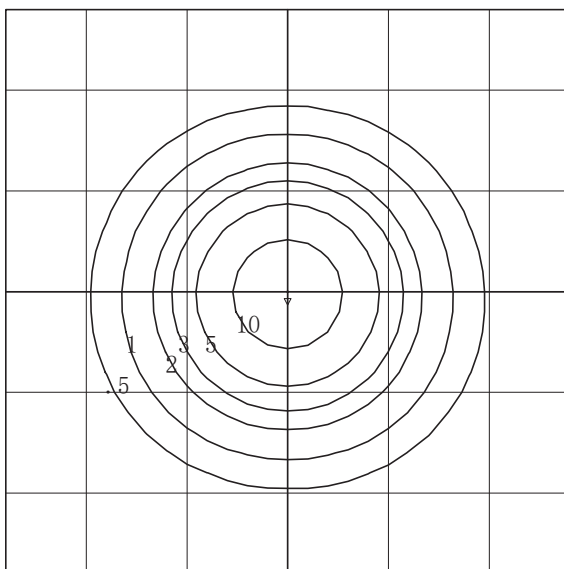


Dimensions



PHOTOMETRY

E4090



Horizontal Footcandles
Scale: 1 Inch = 12 Ft.
Light Loss Factor = 1.00
Lumens Per Lamp = N.A. (absolute photometry)
Luminaire Lumens = 9838
Mounting Height = 15.00 Ft
Maximum Calculated Value = 16.85 Fc
Arrangement: Single

Specifications

Lumens (LM): 10000LM
Efficacy (LPW): UP TO 125LPW
Input Voltage: 120-277V
CRI: > 70
Equivalency (W): 400W MH
Operating Temp: -30 - 40°C
Warranty: 5 Years

WF Harris Lighting, Inc.

Innovative Lighting Designs Since 1970

4015 Airport Ext. Road • Monroe, NC 28110 USA
704.283.7477 (Headquarters) • 800.842.9345 (Toll Free)

E-Mail: customerservice@wfharris.com
www.wfharrislighting.com