

# OUTDOOR ENTRY LIGHT

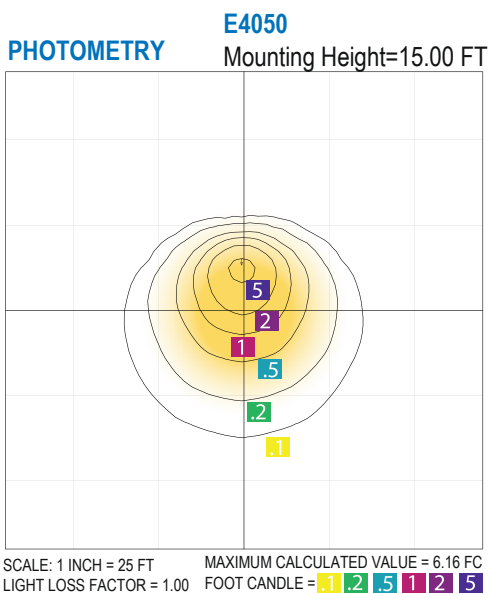
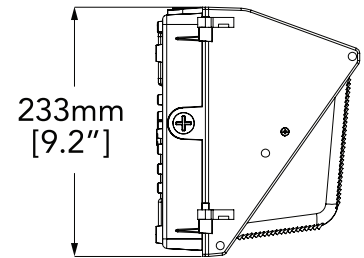
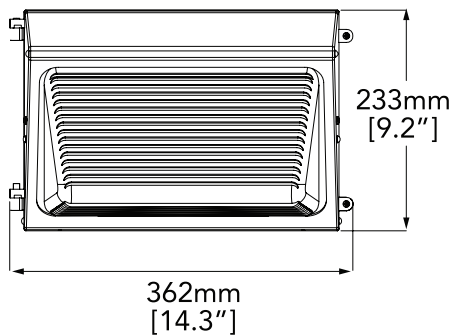
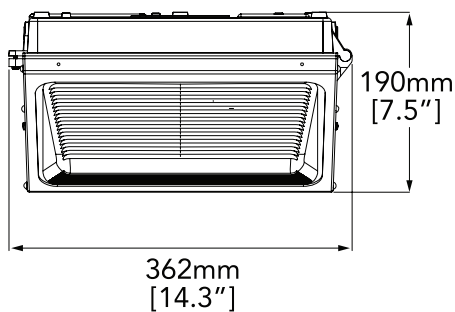
## WALL LIGHT MODEL: E4050



- Impact and weather resistant fixture with die cast back housing and Prismatic glass lenses.
- Universal mounting plate with integral wire hooks for easy hands free installation.
- Bronze housing finish as stock, special order colors available (white, silver, gray, and black). Call for more information.
- Photocell included with optional photocell cap.
- Name brand chip and DOB technology with a five (5) year warranty.



### Dimensions



### Specifications

- Lumens (LM): 6500LM
- Efficacy (LPW): UP TO 130LPW
- Input Voltage: 120-277V
- CRI: > 70
- Equivalency (W): 250W MH
- Operating Temp: -30 - 40°C
- Warranty: 5 Years

# WF Harris Lighting, Inc.

Innovative Lighting Designs Since 1970

4015 Airport Ext. Road • Monroe, NC 28110 USA  
704.283.7477 (Headquarters) • 800.842.9345 (Toll Free)

E-Mail: [customerservice@wfharris.com](mailto:customerservice@wfharris.com)  
[www.wfharrislighting.com](http://www.wfharrislighting.com)